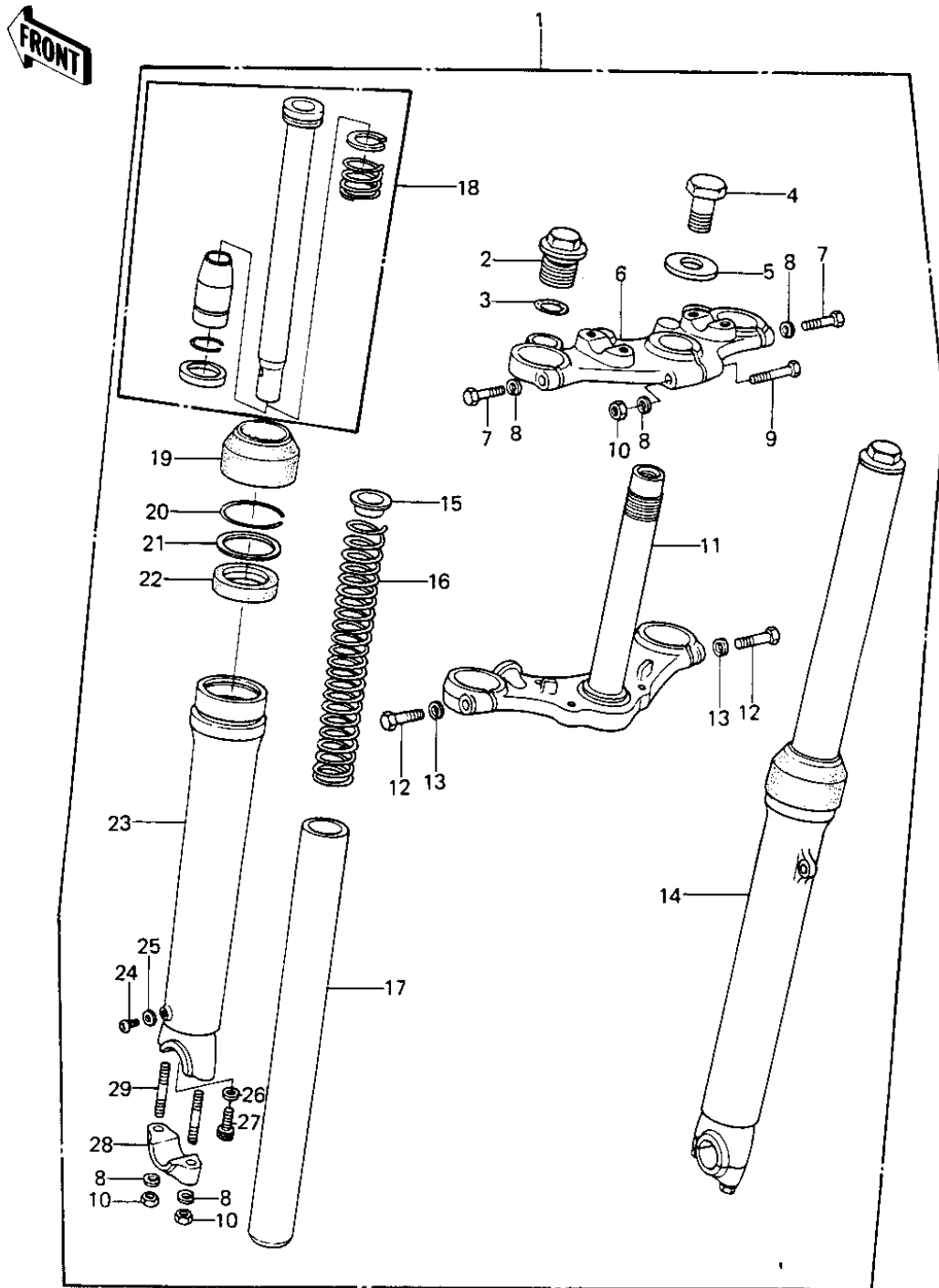


1977 KE250-B1 PARTS DIAGRAM

FRONT FORK



1977 KE250-B1 PARTS LIST

FRONT FORK

ITEM NAME	PART NUMBER	QUANTITY
FORK-FRONT (Ref # 1)	44001-1039	3
BOLT,FORK TOP (Ref # 2)	44062-010	1
"O" RING,FORK TOP (Ref # 3)	92055-1012	1
BOLT STRNG STEM HEAD (Ref # 4)	44041-007	1
WASHER STRNG STEM HD (Ref # 5)	44043-016	1
HEAD,STEERING STEM (Ref # 6)	44039-080	1
BOLT-STEERING STEM HD (Ref # 7)	44041-044	1
WASHER SPRING 8MM (Ref # 8)	461F0800	1
BOLT-STEERING STEM HD (Ref # 9)	44041-042	1
NUT,LOCK,8MM (Ref # 10)	92015-1124	1
STEM,STEERING (Ref # 11)	44037-112	1
BOLT-HEX HEAD,12X36 (Ref # 12)	92003-064	1
WASHER SPRING 12MM (Ref # 13)	461F1200	1
TUBE,RH,FORK OUTER (Ref # 14)	44006-1007	1
GUIDE,FORK SPRING (Ref # 15)	44028-033	1
SPRING,FORK,INNER (Ref # 16)	44026-1007	1
TUBE,FORK INNER (Ref # 17)	44013-1006	1
TUBE,FORK INNER (Ref # 17)	44013-1013	1
CYLINDER-FORK (Ref # 18)	44022-1005	1
CYLINDER-FORK (Ref # 18)	44022-1013	1
DUST SHIELD,FORK (Ref # 19)	44010-036	1
CIRCLIP-OIL SEAL FIT (Ref # 20)	44044-012	1
WASHER-OIL SEAL FIT (Ref # 21)	44043-044	1
OIL SEAL (Ref # 22)	44009-016	1
TUBE,LH,FORK OUTER (Ref # 23)	44005-1007	1
SCREW PAN HEAD 4X8 (Ref # 24)	220B0408	1
GASKET FORK DRAIN PLG (Ref # 25)	44045-002	1
GASKET,FORK CYLINDER (Ref # 26)	44045-057	1
BOLT-FORK CYLINDER (Ref # 27)	44041-040	1

1977 KE250-B1 PARTS LIST

FRONT FORK

ITEM NAME	PART NUMBER	QUANTITY
HOLDER,FRONT AXLE (Ref # 28)	44063-011	1
STUD 8X30 (Ref # 29)	172G0830	1