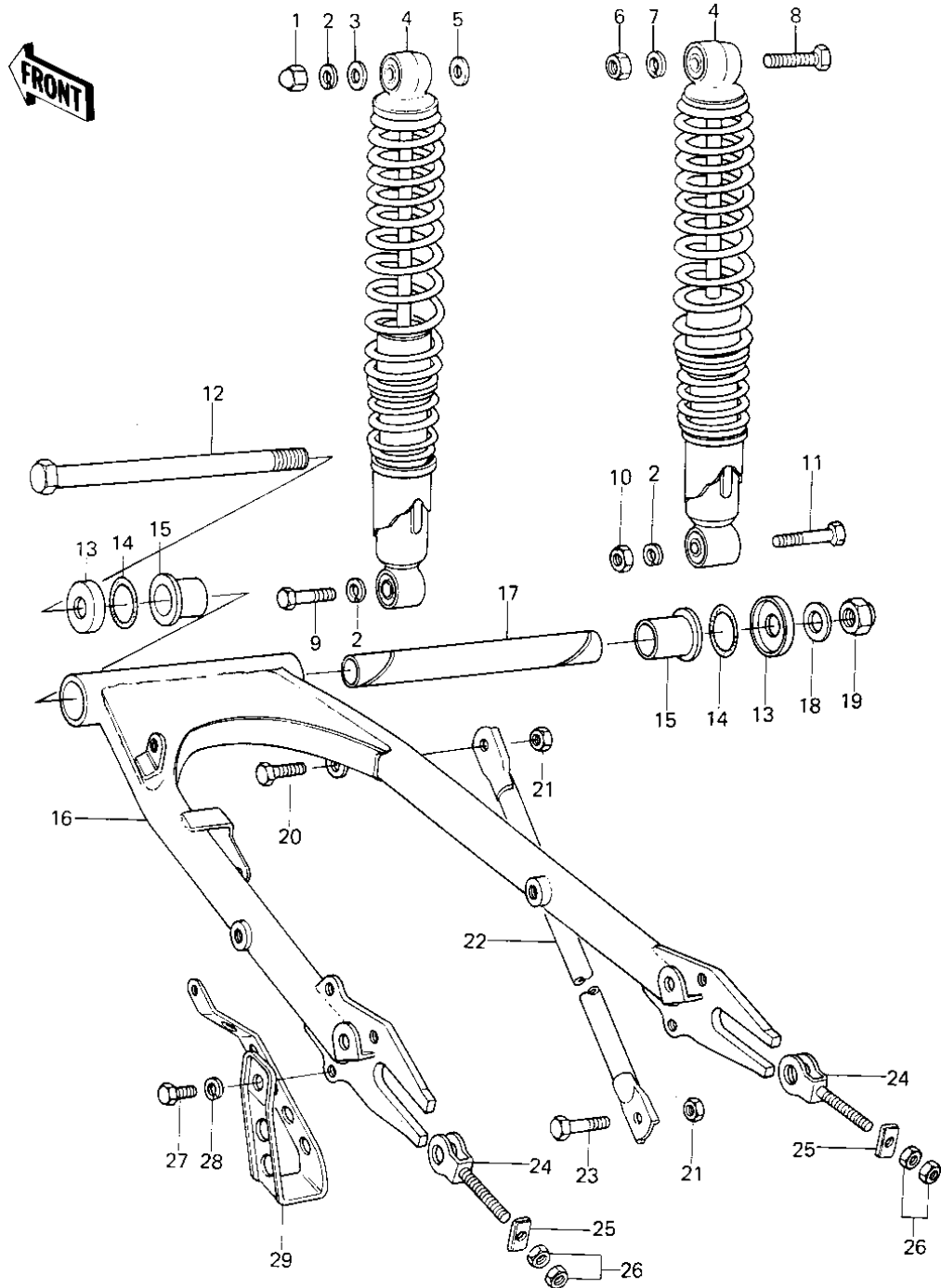


## 1977 KE250-B1 PARTS DIAGRAM

SWING ARM/SWING SHOCK ABSORBERS



## 1977 KE250-B1 PARTS LIST

### SWING ARM/SHOCK ABSORBERS

ITEM NAME	PART NUMBER	QUANTITY
NUT SHOCK ABSORBER (Ref # 1)	92020-003	1
WASHER SPRING 10MM (Ref # 2)	461F1000	1
WASHER PLAIN 10MM (Ref # 3)	411B1000	1
SHOCK ABSBR RR (Ref # 4)	45014-122	1
SHOCK ABSBR RR (Ref # 4)	45014-1016	1
WASHER PLAIN 12MM (Ref # 5)	411B1200	1
NUT-HEX-FINE,12MM (Ref # 6)	315B1200	1
WASHER SPRING 12MM (Ref # 7)	461F1200	1
BOLT HEX HEAD 12X40 (Ref # 8)	113B1240	1
BOLT HEX HEAD 10X35 (Ref # 9)	113N1035	1
NUT,10MM (Ref # 10)	314B1000	1
BOLT HEX HEAD 10X45 (Ref # 11)	113N1045	1
SHAFT-SWING ARM PIVOT (Ref # 12)	33032-035	1
CAP-SWINGING ARM (Ref # 13)	33035-005	1
"O" RING,30MM (Ref # 14)	671B2530	1
BUSHING-SWING ARM (Ref # 15)	33033-009	1
SWING ARM (Ref # 16)	33001-088	1
SLEEVE,SWING ARM (Ref # 17)	42036-1003	1
WASHER PLAIN 12MM (Ref # 18)	410B1200	1
NUT-LOCK,12MM (Ref # 19)	92019-009	1
BOLT,HEX HEAD,10X22 (Ref # 20)	113G1022	1
NUT,10MM (Ref # 21)	92019-016	1
TORQUE LINK,REAR BRAK (Ref # 22)	43007-048	1
BOLT,10X28 (Ref # 23)	113G1028	1
ADJUSTER,CHAIN (Ref # 24)	33040-1002	1
PLATE,CHAIN ADJUSTER (Ref # 25)	33041-005	1
NUT,8MM (Ref # 26)	311B0800	1
BOLT, HEX HEAD 8 X 14 (Ref # 27)	110B08-14	1
WASHER SPRING 8MM (Ref # 28)	461F0800	1

## 1977 KE250-B1 PARTS LIST

SWING ARM/SHOCK ABSORBERS

ITEM NAME	PART NUMBER	QUANTITY
GUARD,CHAIN (Ref # 29)	55020-021	1