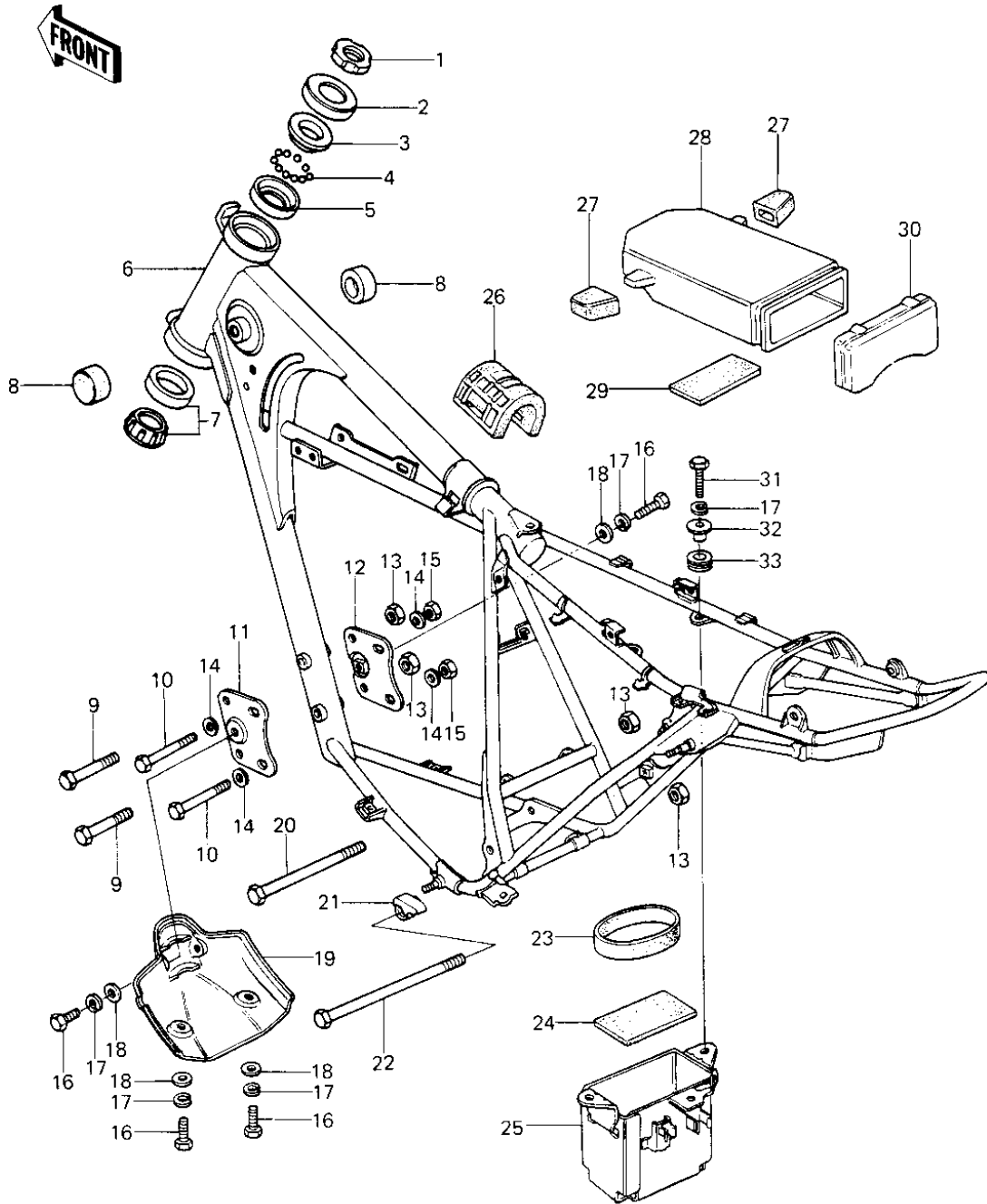


## 1977 KE250-B1 PARTS DIAGRAM

FRAME/FRAME FITTINGS



## 1977 KE250-B1 PARTS LIST

### FRAME/FRAME FITTINGS

ITEM NAME	PART NUMBER	QUANTITY
NUT,STEERING STEM (Ref # 1)	92090-022	1
CAP,STEERING STEM (Ref # 2)	46098-018	1
CONE,STEERING STEM (Ref # 3)	92047-020	1
BALL STEEL 1/4' (Ref # 4)	600A0800	1
RACE,STEERING STEM (Ref # 5)	92048-010	1
FRAME (Ref # 6)	32002-156	1
FRAME (Ref # 6)	32002-1041	1
BEARING,STEERING STEM (Ref # 7)	92047-017	1
DAMPER RUBBER-FL TANK (Ref # 8)	92075-101	1
BOLT,HEX HEAD,10X65 (Ref # 9)	113B1065	1
BOLT FLANGED,8X70 (Ref # 10)	92001-1583	1
PLATE,ENGINE MUNT,L.H (Ref # 11)	32030-062	1
PLATE,ENGINE MUNT,R.H (Ref # 12)	32030-072	1
NUT,LOCK,10MM (Ref # 13)	92019-021	1
WASHER PLAIN 8MM (Ref # 14)	411B0800	1
NUT,LOCK,8MM (Ref # 15)	92017-013	1
BOLT-UPSET,6X16 (Ref # 16)	112G0616	1
WASHER SPRING 6MM (Ref # 17)	461F0600	1
WASHER-PLAIN,7MM (Ref # 18)	92022-240	1
GUARD,ENGINE (Ref # 19)	55011-025	1
BOLT,HEX HEAD,10X130 (Ref # 20)	92001-1249	1
GUARD (Ref # 21)	55020-1009	1
BOLT,HEX HEAD,10X150 (Ref # 22)	92001-1251	1
MAT-BATTERY SIDE (Ref # 23)	32103-023	1
MAT,BATTERY (Ref # 24)	32103-027	1
CASE,BATTERY (Ref # 25)	32097-042	1
DAMPER RUBBER (Ref # 26)	92075-284	1
DAMPER,RUBBER (Ref # 27)	92075-316	1
CASE,TOOL (Ref # 28)	32098-027	1

## 1977 KE250-B1 PARTS LIST

FRAME/FRAME FITTINGS

ITEM NAME	PART NUMBER	QUANTITY
DAMPER,RUBBER (Ref # 29)	92075-1015	1
COVER,TOOL CASE (Ref # 30)	32104-007	1
BOLT-UPSET,6X20 (Ref # 31)	112G0620	1
COLLAR (Ref # 32)	92027-153	1
DAMPER RUBBER (Ref # 33)	92075-051	1