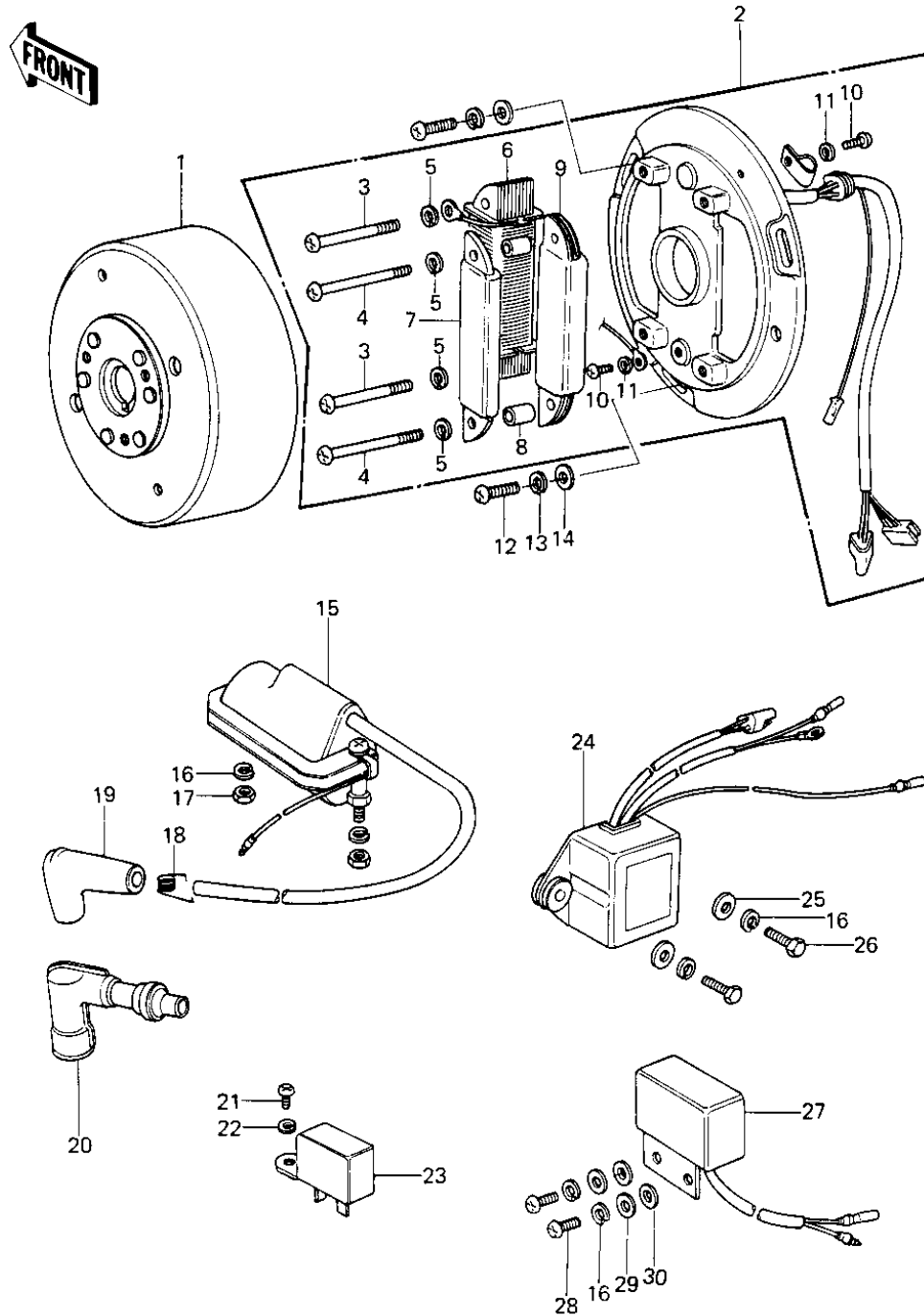


1977 KE250-B1 PARTS DIAGRAM

IGNITION/GENERATOR/REGULATOR



1977 KE250-B1 PARTS LIST

IGNITION/GENERATOR/REGULATOR

ITEM NAME	PART NUMBER	QUANTITY
FLYWHEEL,MAGNETO (Ref # 1)	21050-1002	1
STATOR ASSY (Ref # 2)	21003-1004	1
SCREW-PAN-CROS (Ref # 3)	220B0535	1
SCREW-PAN-CROS (Ref # 4)	220B0540	1
WASHER SPRING 5MM (Ref # 5)	461F0500	3
COIL,LIGHTING (Ref # 6)	21047-1002	1
COIL,PULSING (Ref # 7)	59026-1001	1
COLLAR,COIL (Ref # 8)	92027-1055	1
COIL,EXCITING (Ref # 9)	21049-1001	1
SCREW PAN HEAD 4X6 (Ref # 10)	220B0406	1
WASHER SPRING 4MM (Ref # 11)	461F0400	1
SCREW PAN HEAD 5X20 (Ref # 12)	220B0520	1
WASHER PLAIN 5MM (Ref # 14)	410B0500	1
COIL,IGNITION (Ref # 15)	21121-094	1
WASHER SPRING 6MM (Ref # 16)	461F0600	1
NUT 6MM (Ref # 17)	311B0600	1
SPRING-SPARK PLUG CAP (Ref # 18)	92101-001	1
CAP SPARK PLUG (Ref # 19)	21130-009	1
CAP,SPARK PLUG (Ref # 20)	21160-005	1
SCREW PAN HEAD 5X10 (Ref # 21)	220B0510	1
RECTIFIER (Ref # 23)	21061-015	1
IGNITER (Ref # 24)	21119-027	1
WASHER 6.5X20X1.6T (Ref # 25)	92022-125	2
BOLT-UPSET,6X20 (Ref # 26)	112G0620	1
REGULATOR (Ref # 27)	21066-028	1
SCREW PAN HEAD 6X16 (Ref # 28)	220B0616	1
WASHER PLAIN 6MM (Ref # 29)	410B0600	1