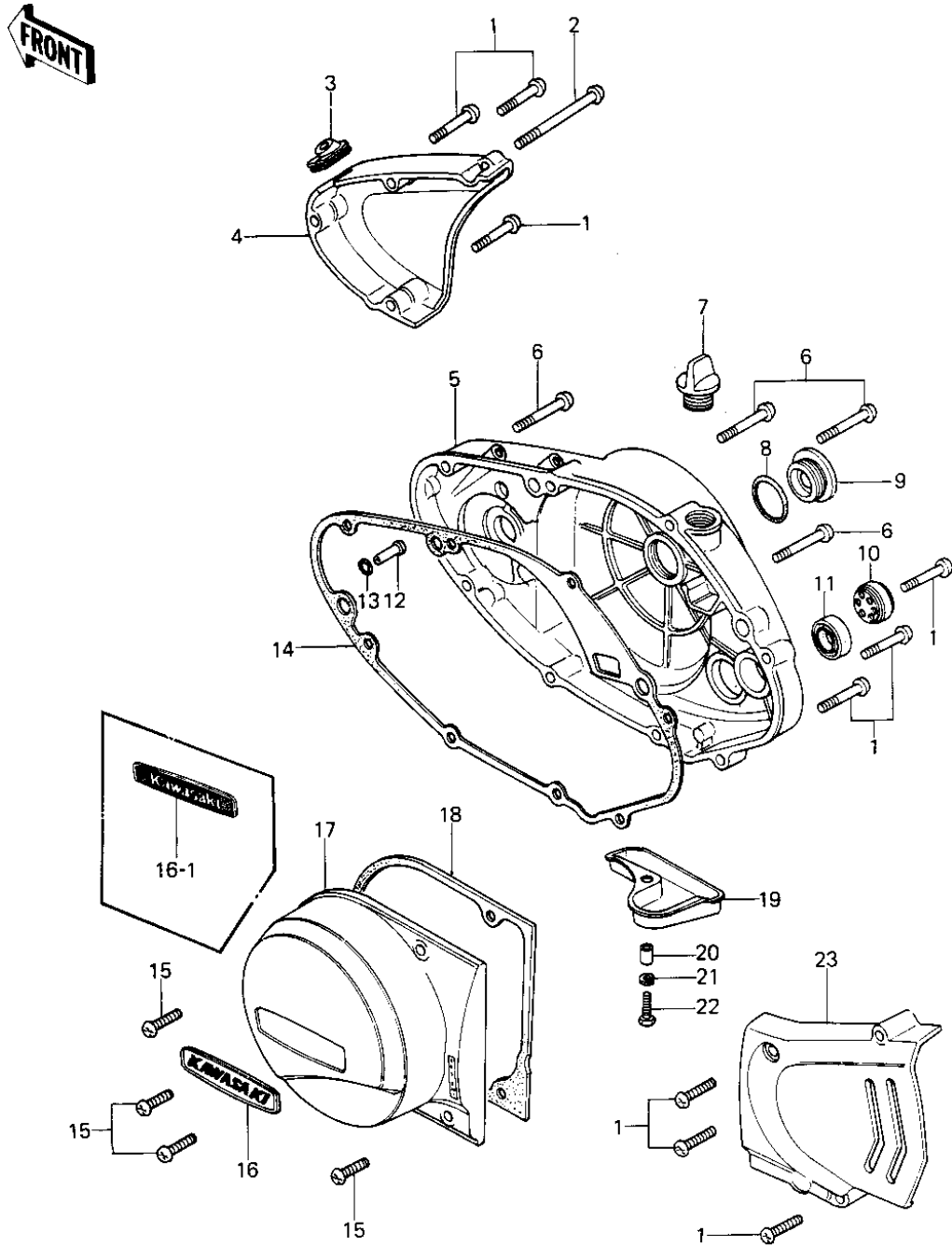


1977 KE250-B1 PARTS DIAGRAM

ENGINE COVERS



1977 KE250-B1 PARTS LIST

ENGINE COVERS

ITEM NAME	PART NUMBER	QUANTITY
SCREW PAN HEAD 6X30 (Ref # 1)	220B0630	1
SCREW PAN HEAD 6X70 (Ref # 2)	220B0670	1
GROMMET (Ref # 3)	92071-097	1
COVER,OIL PUMP (Ref # 4)	14030-070-2H	1
COVER,R.H.ENGINE (Ref # 5)	14032-118-2H	1
SCREW PAN HEAD 6X40 (Ref # 6)	220B0640	1
FILLER,OIL (Ref # 7)	16115-018	1
"O" RING,RELEASE PLUG (Ref # 8)	92055-091	1
PLUG,RELEASE (Ref # 9)	92067-024	1
GAUGE,OIL LEVEL (Ref # 10)	52015-004	1
OIL SEAL SB20285 (Ref # 11)	92049-012	1
VALVE-CHECK (Ref # 12)	16128-006	1
"O" RING,CHECK VALVE (Ref # 13)	92055-037	1
GASKET,R.H.ENGINE COV (Ref # 14)	14046-036	1
SCREW PAN HEAD 6X22 (Ref # 15)	220B0622	1
EMBLEM,ENGINE COVER (Ref # 16)	56018-1032	2
COVER,L.H.ENGINE (Ref # 17)	14031-096-2H	1
GASKET,L.H.ENGINE COV (Ref # 18)	14045-030	1
COVER,RELEASE (Ref # 19)	14036-007	1
COLLAR (Ref # 20)	92027-241	1
WASHER SPRING 6MM (Ref # 21)	461F0600	1
BOLT 6X22 (Ref # 22)	112B0622	1
COVER,CHAIN CASE (Ref # 23)	14026-036-2H	1