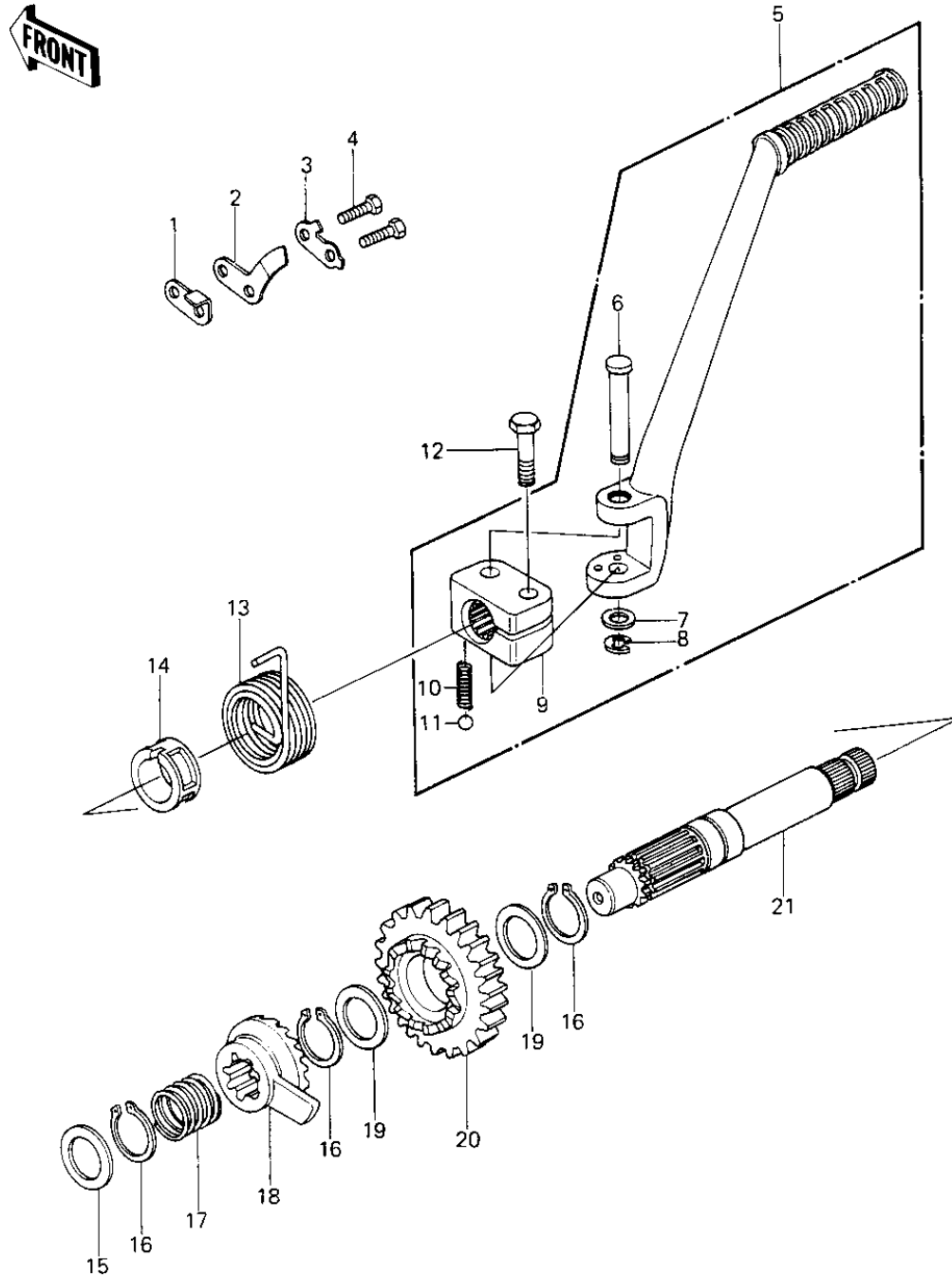


1977 KE250-B1 PARTS DIAGRAM

KICKSTARTER MECHANISM



1977 KE250-B1 PARTS LIST

KICKSTARTER MECHANISM

ITEM NAME	PART NUMBER	QUANTITY
STOPPER,KICKSHAFT (Ref # 1)	13072-016	1
GUIDE,KICK STOPPER (Ref # 2)	13206-011	1
WASHER,KICKSTOP GUIDE (Ref # 3)	92031-010	1
BOLT-UPSET (Ref # 4)	112G0618	1
PEDAL ASSY,KICK (Ref # 5)	13058-064	1
PIN-KICKSTARTER (Ref # 6)	92043-075	1
WASHER PLAIN 8MM (Ref # 7)	410B0800	1
CIRCLIP 5MM (Ref # 8)	482K5000	1
BOSS,KICK PEDAL (Ref # 9)	13061-028	1
SPRING,KICK PEDAL (Ref # 10)	92081-157	1
BALL STEEL 1/4' (Ref # 11)	600A0800	1
BOLT HEX HEAD 8X28 (Ref # 12)	114G0828	1
SPRING-KICKSTARTER (Ref # 13)	92082-003	1
GUIDE,KICKSTARTER (Ref # 14)	13070-007	1
WASHER (Ref # 15)	92022-252	1
CIRCLIP (Ref # 16)	92033-026	1
SPRING (Ref # 17)	92081-097	1
RATCHET (Ref # 18)	13078-007	1
WASHER-PLAIN 25MM (Ref # 19)	92022-159	1
GEAR,KICK,29T (Ref # 20)	13068-036	1
SHAFT,KICK (Ref # 21)	13066-1002	1