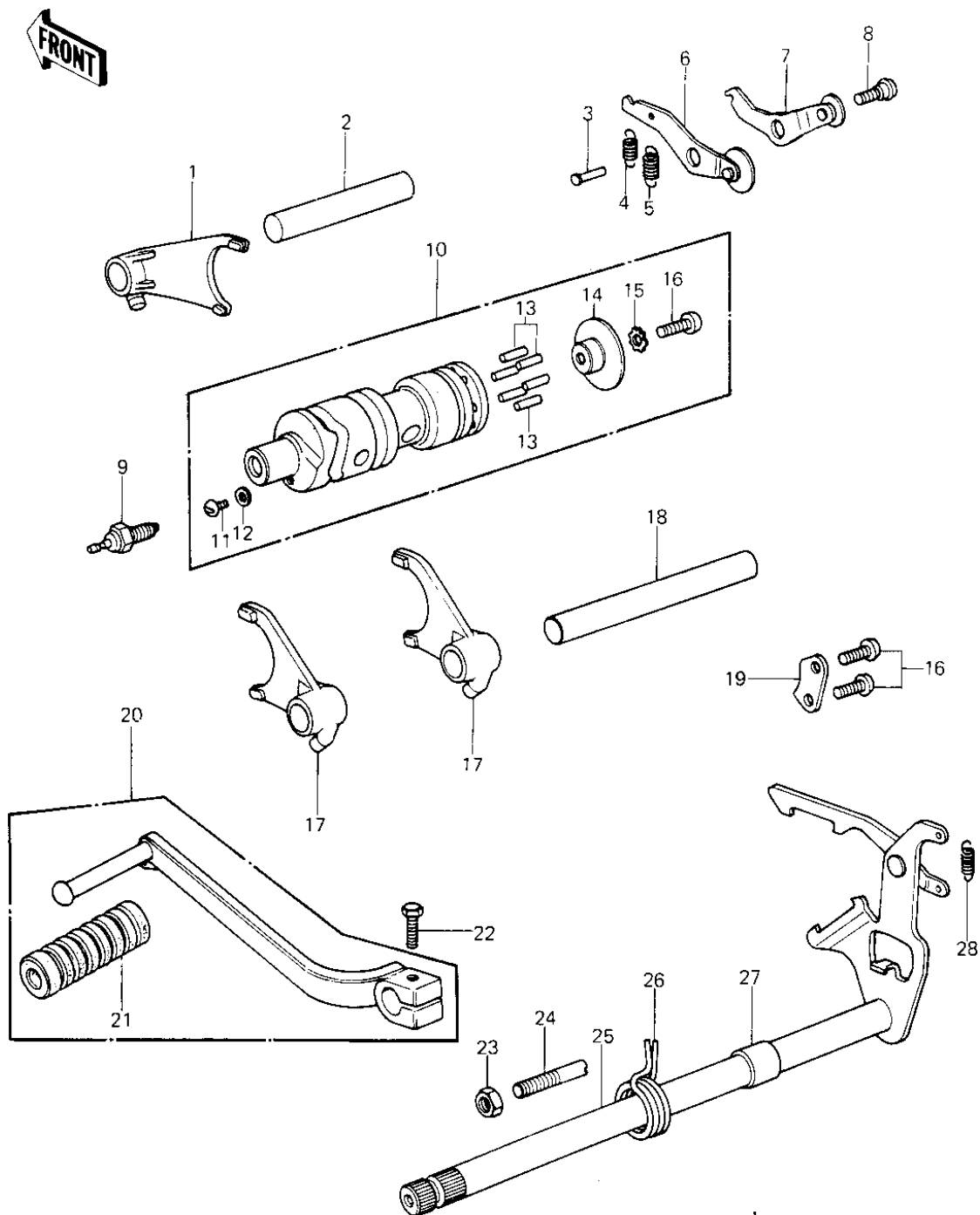


1977 KE250-B1 PARTS DIAGRAM

GEAR CHANGE MECHANISM



1977 KE250-B1 PARTS LIST

GEAR CHANGE MECHANISM

ITEM NAME	PART NUMBER	QUANTITY
SHIFT FORK,4TH & TOP (Ref # 1)	13140-078	1
ROD,SHIFT 71.7M/M (Ref # 2)	49047-1002	1
PIN (Ref # 3)	92043-1004	1
SPRING,GEAR CHANGE (Ref # 4)	92081-156	1
SPRING,CHNG DRUM LEVR (Ref # 5)	92081-1045	1
LEVER ASSY,GEAR CHANG (Ref # 6)	13236-009	1
LEVER ASSY,GEAR CHANG (Ref # 7)	13236-010	1
SCREW-PAN HEAD (Ref # 8)	92011-023	1
SWITCH,NEUTRAL (Ref # 9)	13151-019	1
DRUM ASSY,CHANGE (Ref # 10)	13239-027	1
SCREW,PAN HEAD,4X6 (Ref # 11)	92009-006	1
WASHER PLAIN 4MM (Ref # 12)	410B0400	1
PIN GEAR CHANGE DRUM (Ref # 13)	92042-014	1
HOLDER,CHANGE DRUM (Ref # 14)	13142-014	1
WASHER LOCK 6MM (Ref # 15)	464H0600	1
SCREW PAN HEAD 6X14 (Ref # 16)	220B0614	1
SHIFT FORK,LOW,2ND&3D (Ref # 17)	13140-077	1
ROD,SHIFT 93.7M/M (Ref # 18)	49047-1003	1
PLATE,CHANGE DRUM (Ref # 19)	13169-012	1
PEDAL,GEAR CHANGE (Ref # 20)	13156-066	1
RUBBER CHANGE PEDAL (Ref # 21)	13157-004	1
BOLT-UPSET,6X20 (Ref # 22)	112G0620	1
NUT 8MM (Ref # 23)	312B0800	1
BOLT,RETURN SPRING (Ref # 24)	92001-1401	1
SHAFT ASSY,GEAR CHANG (Ref # 25)	13161-1008	2
SPRING,GEAR CHANGE (Ref # 26)	92083-031	1
COLLAR,13X18.3X21.5 (Ref # 27)	92027-1440	1
SPRING-CHANGE LEVER (Ref # 28)	92081-076	1