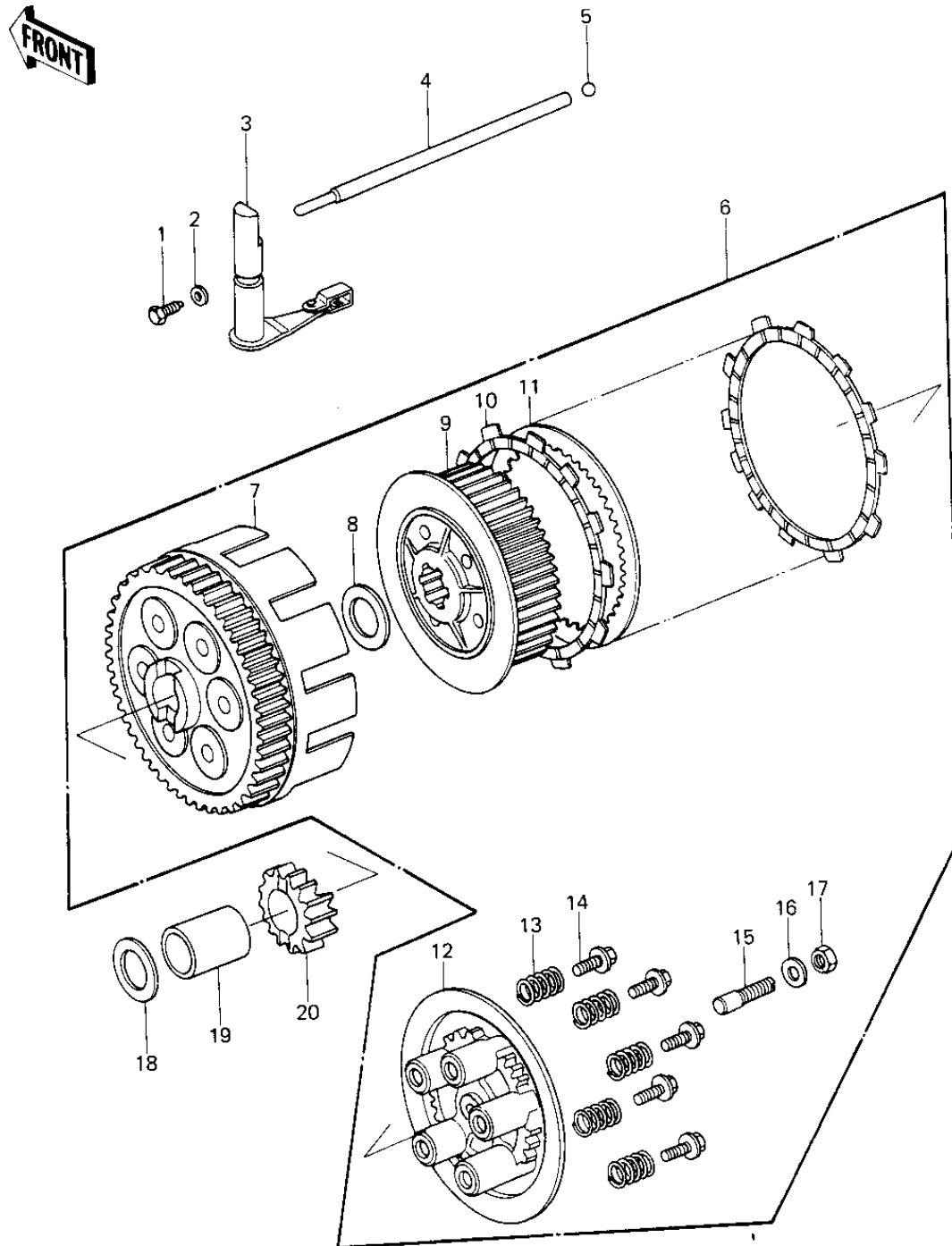


1977 KE250-B1 PARTS DIAGRAM

CLUTCH



1977 KE250-B1 PARTS LIST

CLUTCH

ITEM NAME	PART NUMBER	QUANTITY
BOLT,CLUTCH RELEASE (Ref # 1)	92003-130	1
GASKET,R.H ENG COVER (Ref # 2)	92065-092	1
LEVER,CLUTCH RELEASE (Ref # 3)	13102-026	1
ROD,CLUTCH PUSH (Ref # 4)	13116-034	1
BALL-STEEL,11/32" (Ref # 5)	600A1100	1
CLUTCH-ASSY (Ref # 6)	13081-086	1
HOUSING,CLUTCH (Ref # 7)	13095-055	1
WASHER,CLUTCH THRUST (Ref # 8)	92022-282	1
HUB,CLUTCH (Ref # 9)	13087-044	1
PLATE,CLUTCH FRICTION (Ref # 10)	13088-041	1
PLATE,CLUTCH,STEEL (Ref # 11)	13089-1005	1
PLATE-CLUTCH OPERATIN (Ref # 12)	13187-1009	1
SPRING,CLUTCH (Ref # 13)	92081-155	1
BOLT,CLUTCH SPR FITT (Ref # 14)	92001-1066	1
SCREW,SLOTTED,8X35 (Ref # 15)	92014-017	1
WASHER,PLAIN,8M/M (Ref # 16)	92022-063	1
NUT 8MM (Ref # 17)	318B0800	1
WASHER,CLUTCH (Ref # 18)	92022-031	1
BUSHING,CLUTCH (Ref # 19)	92028-150	1
PINION,KICK GEAR 16T (Ref # 20)	13075-011	1