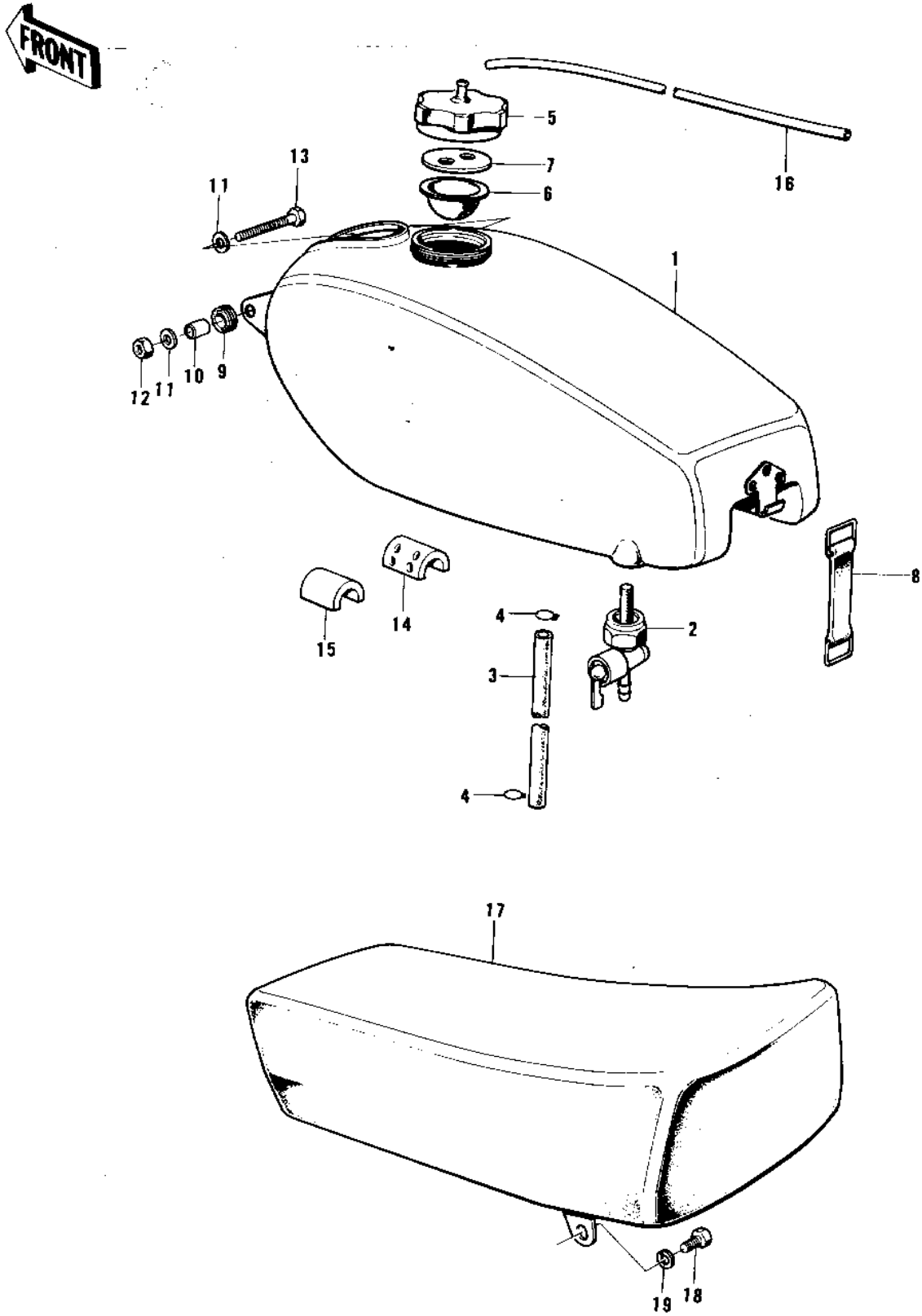


# 1975 F11-B PARTS DIAGRAM

FUEL TANK/SEAT



# 1975 F11-B PARTS LIST

## FUEL TANK/SEAT

ITEM NAME	PART NUMBER	QUANTITY
TANK,FUEL (Ref # 1)	51001-085	
FUEL COCK ASSY (Ref # 2)	51023-033	
PIPE-FUEL (Ref # 3)	92059-080	
CLAMP FUEL PIPE (Ref # 4)	92037-010	
CAP,FUEL TANK (Ref # 5)	51049-021	
GASKET,FUEL TANK CAP (Ref # 6)	51059-010	
WASHER (Ref # 7)	51058-003	
BAND-FUEL TANK (Ref # 8)	92072-036	
DAMPER RUBBER (Ref # 9)	92075-197	
COLLAR 6.8X10X14.5 (Ref # 10)	92027-156	
WASHER 6.5X20X1.6T (Ref # 11)	92022-125	
NUT,6MM (Ref # 12)	92019-019	
BOLT,HEX HEAD,6X99 (Ref # 13)	92003-111	
DAMPER RUBBER (Ref # 14)	92075-198	
MAT FUEL TANK (Ref # 15)	51067-002	
TUBE-VINYL,5X280 (Ref # 16)	700Q05280	
UNAVAILABLE IN PRICE BOOK (Ref # 17)	53002-050	
BOLT-SMALL-UPSET,8X1 (Ref # 18)	115G0816	
BOLT HEX HEAD 8X16 (Ref # 18)	116B0816	
WASHER SPRING 8MM (Ref # 19)	461F0800	