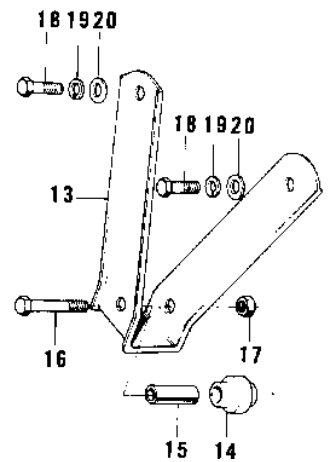
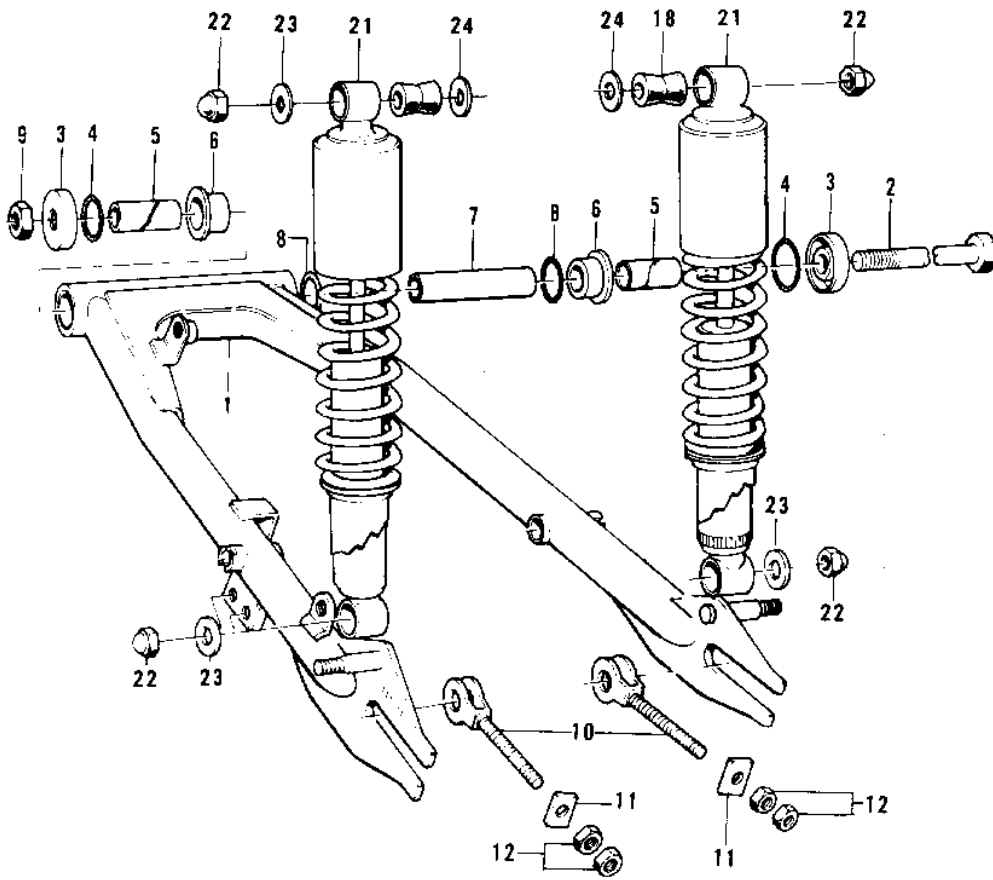


1975 F11-B PARTS DIAGRAM

SWING ARM/SHOCK ABSORBERS (73 F11M)



1975 F11-B PARTS LIST

SWING ARM/SHOCK ABSORBERS (73 F11M)

ITEM NAME	PART NUMBER	QUANTITY
SWINGING ARM (Ref # 1)	33001-054	
SHAFT-SWING ARM PIVOT (Ref # 2)	33032-035	
CAP-SWINGING ARM (Ref # 3)	33035-005	
"0" RING,30MM (Ref # 4)	671B2530	
SLEEVE-SWINGING ARM (Ref # 5)	33034-016	
BUSHING-SWING ARM (Ref # 6)	33033-009	
SLEEVE-SWING ARM,LON (Ref # 7)	33034-018	
"0" RING,16MM (Ref # 8)	670B2016	
NUT,12MM (Ref # 9)	92019-017	
ADJUSTER-CHAIN (Ref # 10)	33040-050	
PLATE, CHAIN ADJUSTER (Ref # 11)	33041-002	
NUT 6MM (Ref # 12)	312B0600	
UNAVAILABLE IN PRICE BOOK (Ref # 13)	55020-010	
ROLLAR (Ref # 14)	92122-002	
COLLAR (Ref # 15)	92027-192	
BOLT 6X35 (Ref # 16)	110R0635	
BOLT-UPSET,6X35 (Ref # 16)	112G0635	
NUT (Ref # 17)	92019-008	
BOLT-UPSET,6X12 (Ref # 18)	112G0612	
BOLT-UPSET,6X12 (Ref # 18)	112G0612	
WASHER PLAIN 6MM (Ref # 19)	410B0600	
WASHER SPRING 6MM (Ref # 20)	461F0600	
SHOCK ABSBR RR (Ref # 21)	45014-086	
NUT,10MM (Ref # 22)	92019-016	
WASHER-PL-10.5X26X2. (Ref # 23)	92022-044	
WASHER PLAIN 12MM (Ref # 24)	410B1200	