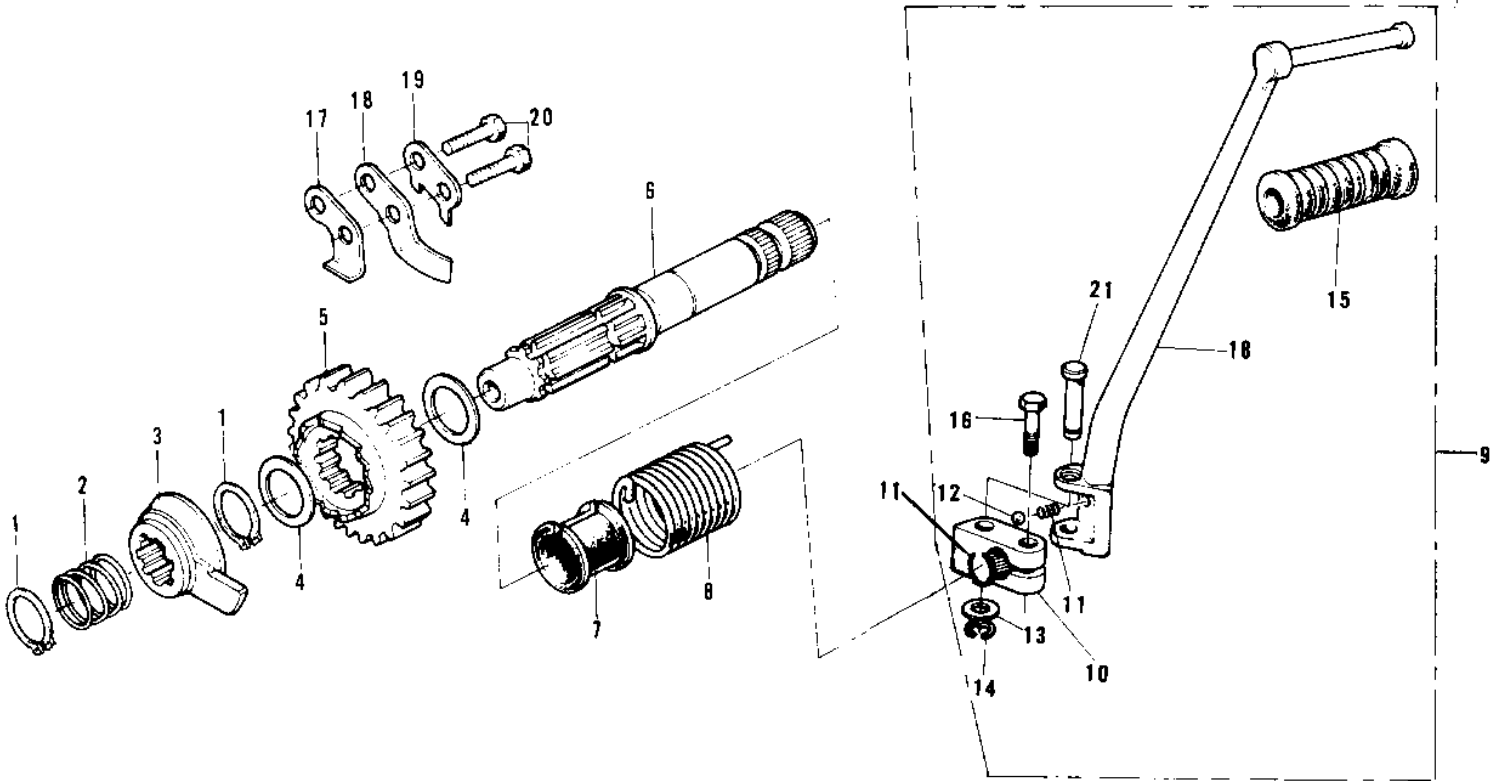


1973 F11M PARTS DIAGRAM

KICKSTARTER MECHANISM ('73 F11M)



1973 F11M PARTS LIST

KICKSTARTER MECHANISM (73 F11M)

ITEM NAME	PART NUMBER	QUANTITY
CIRCLIP (Ref # 1)	92033-026	
SPRING (Ref # 2)	92081-097	
RATCHET (Ref # 3)	13078-005	
WASHER-PLAIN 25MM (Ref # 4)	92022-159	
GEAR-KICKSTARTER (Ref # 5)	13068-025	
SHAFT,KICKSTARTER (Ref # 6)	13066-030	
GUIDE,KICK SPRING (Ref # 7)	13070-006	
SPRING-KICKSTARTER (Ref # 8)	92082-003	
PEDAL,KICKSTARTER (Ref # 9)	13058-049	
BOSS-KICK PEDAL (Ref # 10)	13061-010	
SPRING KICK PEDAL (Ref # 11)	92081-020	
BALL STEEL 1/4' (Ref # 12)	600A0800	
WASHER PLAIN 8MM (Ref # 13)	410B0800	
CIRCLIP 5MM (Ref # 14)	482K5000	
RUBBER KICK PEDAL (Ref # 15)	13063-004	
BOLT-KICK PEDAL (Ref # 16)	92001-110	
STOPPER-KICKSTARTER (Ref # 17)	13072-011	
GUIDE-KICKSTARTER (Ref # 18)	13206-007	
WASHER-LOCK (Ref # 19)	92024-036	
BOLT-UPSET,6X16 (Ref # 20)	112G0616	
BOLT-UPSET,6X16 (Ref # 20)	112G0616	
PIN-KICK PEDAL (Ref # 21)	92043-081	