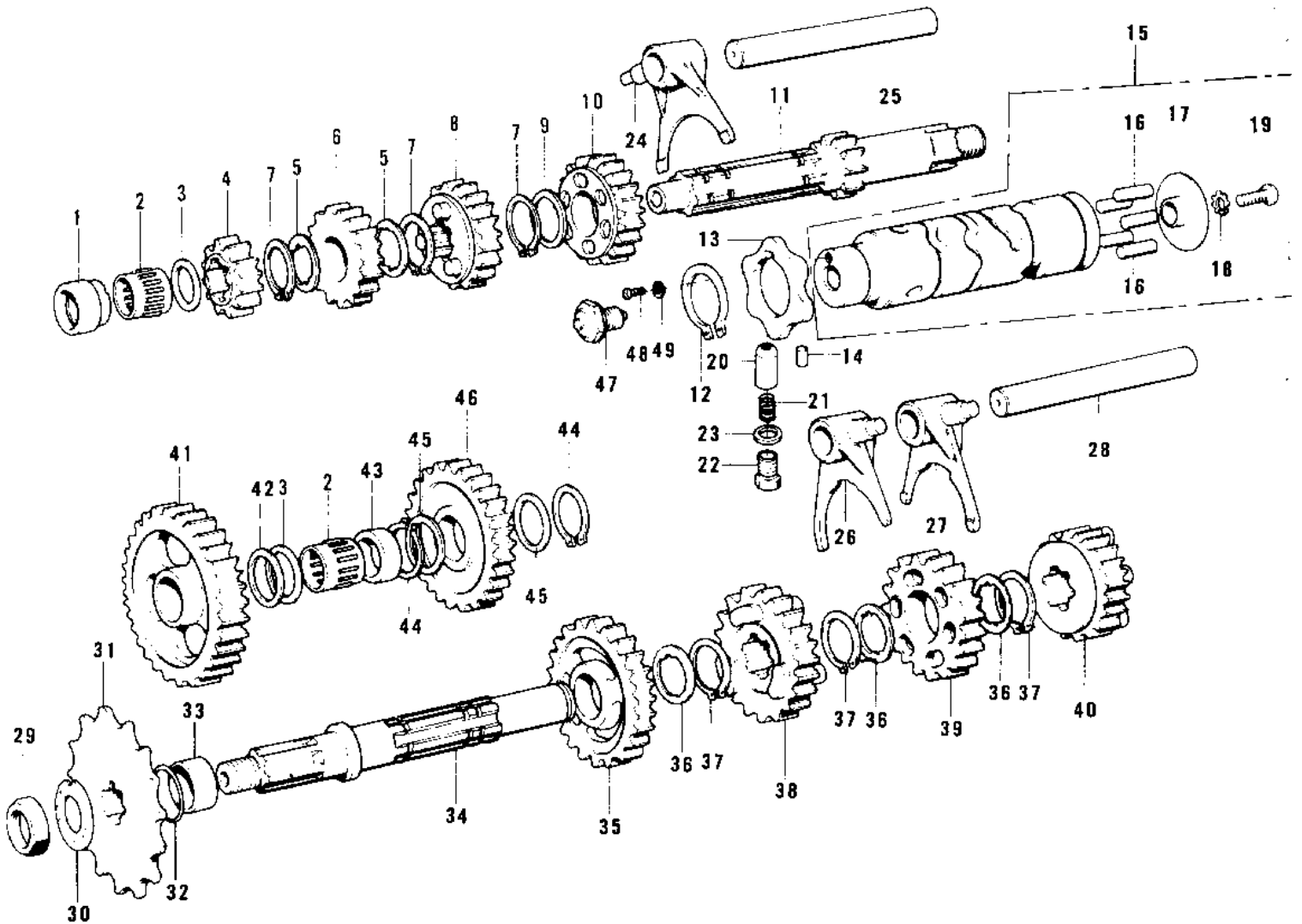


1974 F11-A PARTS DIAGRAM

TRANSMISSION/CHANGE DRUM ('73 F11M)



1974 F11-A PARTS LIST

TRANSMISSION/CHANGE DRUM ('73 F11M)

ITEM NAME	PART NUMBER	QUANTITY
BUSHING (Ref # 1)	92028-109	1
BEARING-NEEDLE (Ref # 2)	92046-1184	1
WASHER 17MM (Ref # 3)	92022-075	1
2ND GEAR-DRIVE SHAFT (Ref # 4)	13130-029	1
WASHER-LOCK (Ref # 5)	92024-039	1
TOP GEAR,DRIVE SHAFT (Ref # 6)	13136-043	1
CIRCLIP (Ref # 7)	92033-025	1
3RD GEAR,DRIVE SHAFT (Ref # 8)	13132-032	1
WASHER-PLAIN (Ref # 9)	92022-198	1
4TH GEAR,DRIVE SHAFT (Ref # 10)	13134-017	1
SHAFT,DRIVE (Ref # 11)	13127-040	1
CIRCLIP,30MM (Ref # 12)	480J3000	1
CAM-CHANGE DRUM (Ref # 13)	13145-1058	1
PIN-DOWEL,4X6 (Ref # 14)	610A0406	1
DRUM ASSY-GEAR CHANGE (Ref # 15)	13239-012	1
PIN GEAR CHANGE DRUM (Ref # 16)	92042-014	1
PLATE CHANGE DRUM PIN (Ref # 17)	13142-008	1
WASHER LOCK 6MM (Ref # 18)	464H0600	1
SCREW PAN HEAD 6X12 (Ref # 19)	220B0612	1
PIN-NEUTRAL POSITION (Ref # 20)	92043-076	1
SPRING (Ref # 21)	92081-112	1
BOLT (Ref # 22)	92001-106	1
GASKET (Ref # 23)	92065-090	1
FORK-SELECTOR,4TH&TOP (Ref # 24)	13140-044	1
ROD-SHIFT,LONG (Ref # 25)	13209-007	2
FORK-SELECTOR,2ND&3RD (Ref # 26)	13140-043	1
FORK-SELECTOR,LOW (Ref # 27)	13140-042	1
NUT 18MM (Ref # 29)	92015-019	1
WASHER,LOCK,18MM (Ref # 30)	92024-067	1

1974 F11-A PARTS LIST

TRANSMISSION/CHANGE DRUM ('73 F11M)

ITEM NAME	PART NUMBER	QUANTITY
ENGINE SPROCKET 14T (Ref # 31)	13144-017	2
ENGINE SPROCKET 15T (Ref # 31)	13144-025	1
"O" RING (Ref # 32)	92055-035	1
COLLAR-ENG SPROKET (Ref # 33)	92027-163	1
SHAFT-OUTPUT (Ref # 34)	13128-033	1
2ND GEAR,OUTPUT SHAF (Ref # 35)	13131-039	1
WASHER-LOCK (Ref # 36)	92024-038	1
CIRCLIP (Ref # 37)	92033-026	1
TOP GEAR,OUTPUT SHAF (Ref # 38)	13137-026	1
3RD GEAR,OUTPUT SHAF (Ref # 39)	13133-032	1
4TH GEAR,OUTPUT SHAF (Ref # 40)	13135-021	1
LOW GEAR,OUTPUT SHAF (Ref # 41)	13129-047	1
WASHER THRUST (Ref # 42)	92026-021	1
BUSHING (Ref # 43)	92028-110	1
CIRCLIP 16MM (Ref # 44)	480J1600	1
WASHER-THRUST (Ref # 45)	92022-197	1
IDLE GEAR-KICKSTARTE (Ref # 46)	13073-008	1
SWITCH,NEUTRAL (Ref # 47)	13151-018	1
SCREW,PAN HEAD,4X6 (Ref # 48)	92009-006	1
WASHER SPRING 4MM (Ref # 49)	461F0400	1