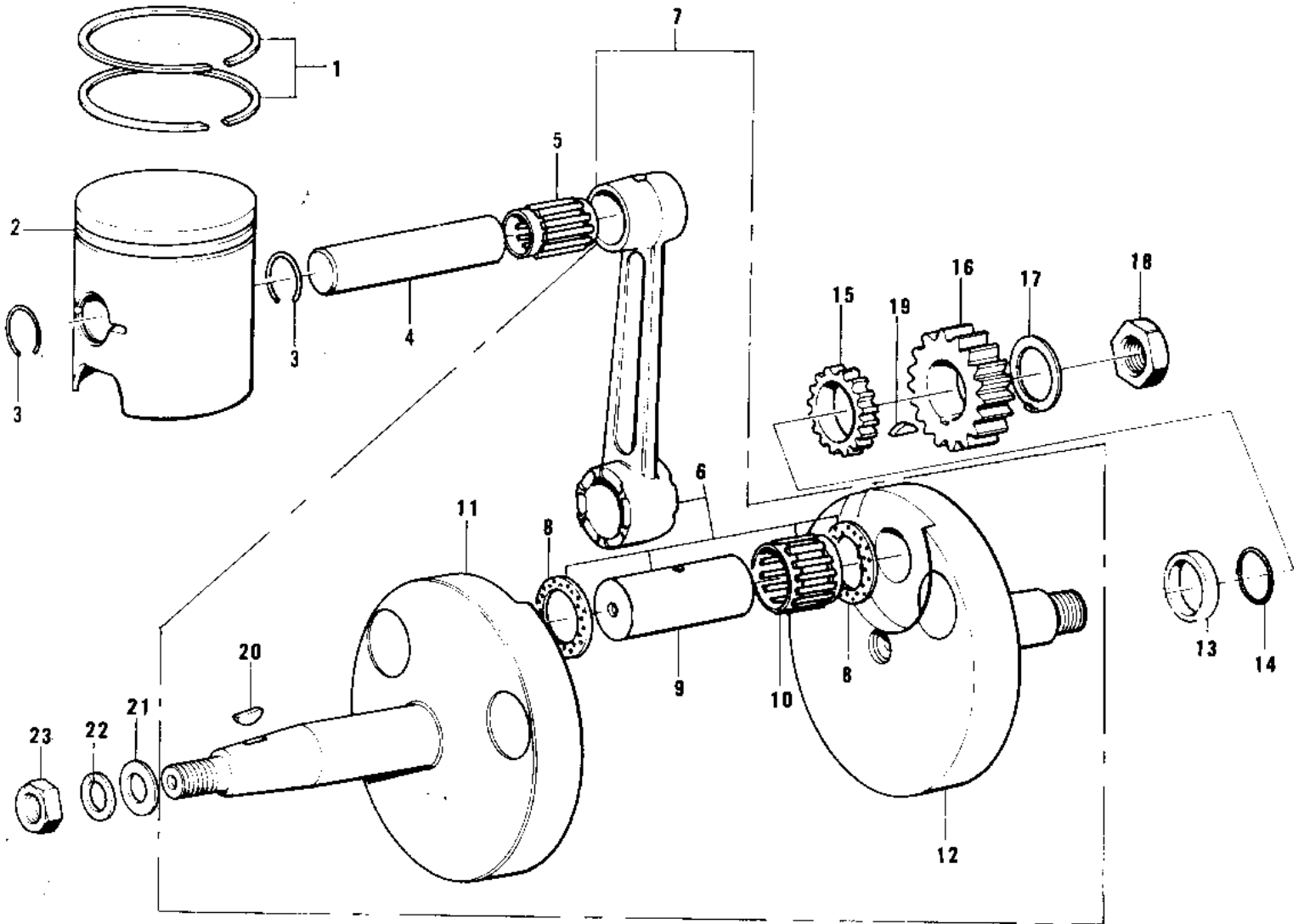


# 1975 F11-B PARTS DIAGRAM

CRANKSHAFT/PISTON (73 F11M)



# 1975 F11-B PARTS LIST

CRANKSHAFT/PISTON (73 F11M)

| ITEM NAME                       | PART NUMBER | QUANTITY |
|---------------------------------|-------------|----------|
| RING SET,STD (Ref # 1)          | 13008-030   |          |
| RING SET,0.020" O.S (Ref # 1)   | 13025-035   |          |
| PISTON,STD (Ref # 2)            | 13001-058   |          |
| PISTON,0,020'O/S (Ref # 2)      | 13029-063   |          |
| CIRCLIP-PISTON PIN (Ref # 3)    | 92036-015   |          |
| PIN-PISTON (Ref # 4)            | 13002-017   |          |
| BEARING-SMALL END (Ref # 5)     | 13033-1010  |          |
| CONNECTING ROD SET (Ref # 6)    | 13044-026   |          |
| CRANK SHAFT ASSY (Ref # 7)      | 13036-040   |          |
| SPACER (Ref # 8)                | 92026-1241  |          |
| CRANK PIN (Ref # 9)             | 13035-031   |          |
| BEARING,BIG END NEED (Ref # 10) | 13034-049   |          |
| CRANKSHAFT,L.H (Ref # 11)       | 13037-049   |          |
| CRANKSHAFT,R.H (Ref # 12)       | 13038-044   |          |
| COLLAR-CRANKSHAFT (Ref # 13)    | 92027-144   |          |
| "0" RING,20MM (Ref # 14)        | 670B2020    |          |
| PINION-OIL PUMP (Ref # 15)      | 16084-013   |          |
| PINION-PRIMARY (Ref # 16)       | 13121-022   |          |
| WASHER,LOCK,18MM (Ref # 17)     | 92024-067   |          |
| NUT 18MM (Ref # 18)             | 92015-019   |          |
| WOODRUFF KEY (Ref # 19)         | 510A5100    |          |
| WOODRUFF KEY (Ref # 20)         | 92038-001   |          |
| WASHER-PLAIN,14MM (Ref # 21)    | 92022-172   |          |
| WASHER SPRING 14MM (Ref # 22)   | 461F1400    |          |
| NUT 14MM (Ref # 23)             | 92015-043   |          |