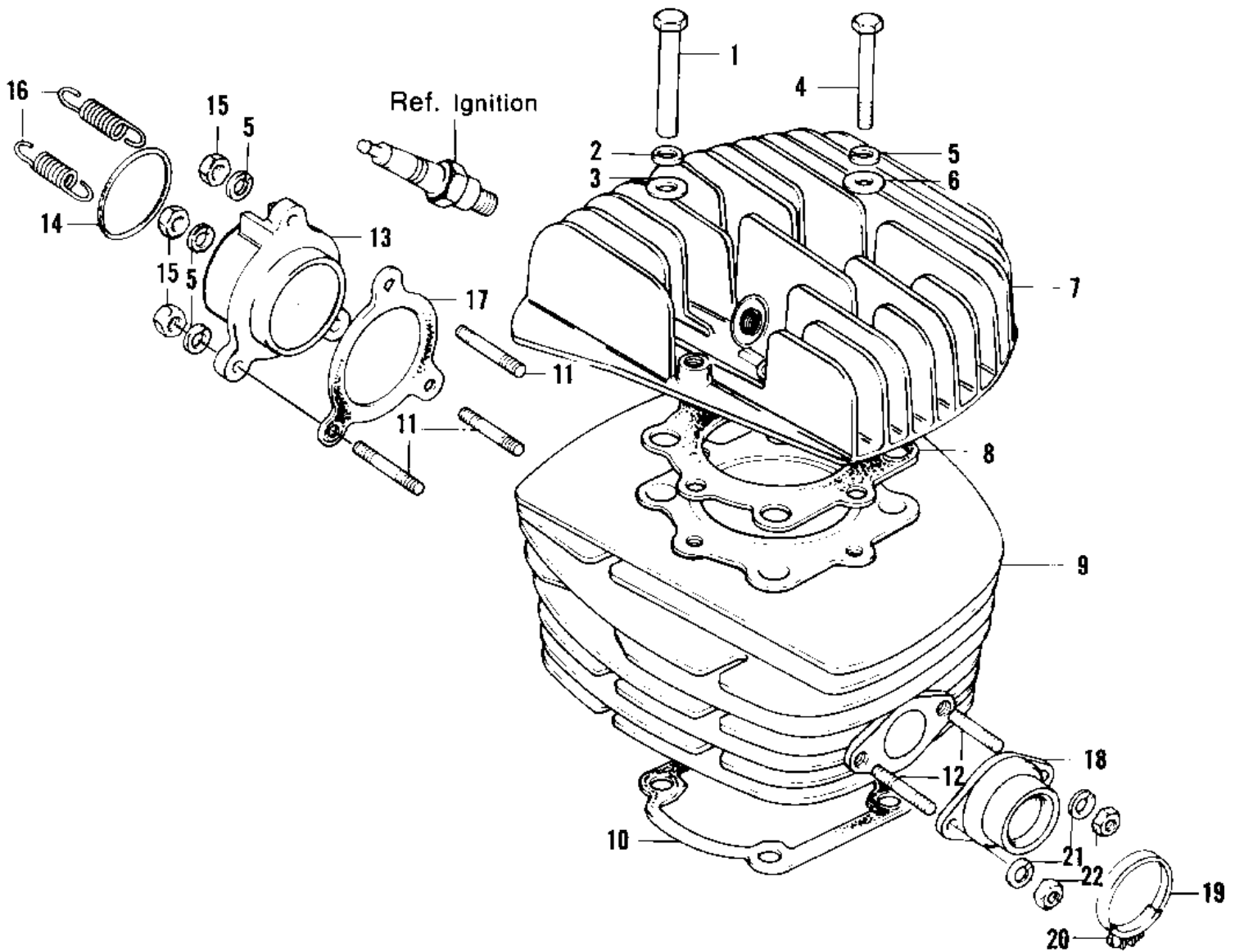


# 1975 F11-B PARTS DIAGRAM

CYLINDER HEAD/CYLINDER (73 F11M)



# 1975 F11-B PARTS LIST

CYLINDER HEAD/CYLINDER (73 F11M)

ITEM NAME	PART NUMBER	QUANTITY
NUT,10MM (Ref # 1)	92015-051	
WASHER SPRING 14MM (Ref # 2)	461F1400	
WASHER PLAIN 14MM (Ref # 3)	410B1400	
BOLT,10X45 (Ref # 4)	92001-1182	
BOLT,10X45 (Ref # 4)	92001-1182	
WASHER SPRING 8MM (Ref # 5)	461F0800	
WASHER SPRING 8MM (Ref # 5)	461F0800	
WASHER SPRING 8MM (Ref # 5)	461F0800	
WASHER PLAIN 8MM (Ref # 6)	410B0800	
CYLINDER HEAD,F.BLAC (Ref # 7)	11001-077-21	
GASKET-CYLINDER HEAD (Ref # 8)	11004-050	
CYLINDER,F.BLACK (Ref # 9)	11005-101-21	
GASKET-CYLINDER BASE (Ref # 10)	11009-029	
STUD 8X20 (Ref # 11)	172G0820	
STUD,8X12 (Ref # 12)	172G0812	
HOLDER-EXHAUST PIPE (Ref # 13)	18062-004	
UNAVAILABLE IN PRICE BOOK (Ref # 14)	56019-102	
NUT 8MM (Ref # 15)	318B0800	
SPRING-CONNECTOR (Ref # 16)	18071-003	
GASKET-EXHAUST PIPE (Ref # 17)	18050-004	
HOLDER,CARBURETOR (Ref # 18)	16065-012	
CLAMP-INLET PIPE (Ref # 19)	92037-061	
SCREW-PAN-CROS (Ref # 20)	220B0535	
WASHER SPRING 8MM (Ref # 21)	461F0800	
WASHER SPRING 8MM (Ref # 21)	461F0800	
WASHER SPRING 8MM (Ref # 21)	461F0800	
NUT,8MM (Ref # 22)	311B0800	