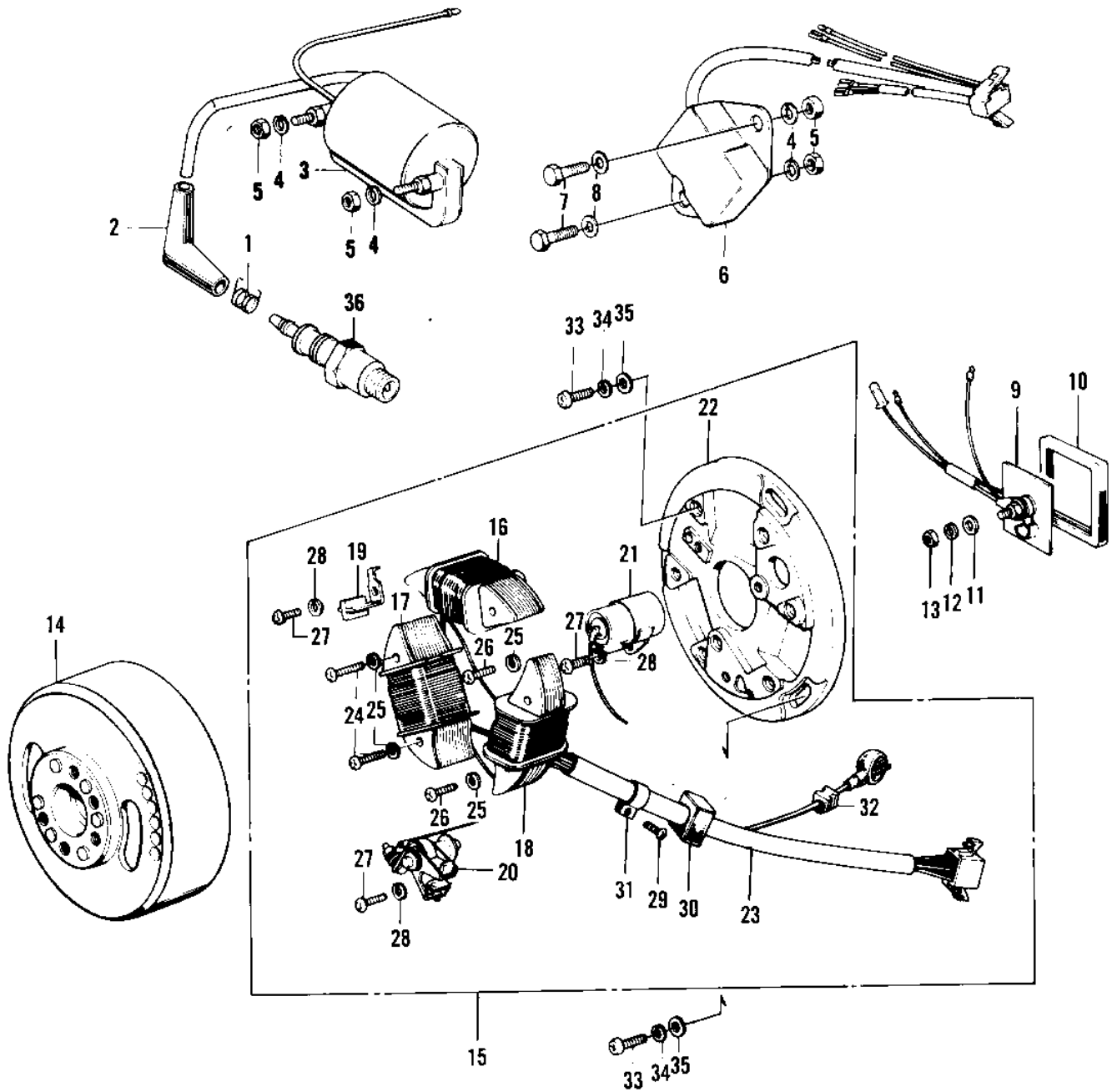


1975 F11-B PARTS DIAGRAM

GENERATOR/RECTIFIER



1975 F11-B PARTS LIST

GENERATOR/RECTIFIER

ITEM NAME	PART NUMBER	QUANTITY
SPRING-SPARK PLUG CA (Ref # 1)	92101-001	
CAP SPARK PLUG (Ref # 2)	21130-009	
COIL-IGNITION (Ref # 3)	21121-042	
WASHER SPRING 6MM (Ref # 4)	461F0600	
NUT 6MM (Ref # 5)	311B0600	
REGULATOR (Ref # 6)	21066-016	
BOLT-UPSET,6X12 (Ref # 7)	112G0612	
WASHER PLAIN 6MM (Ref # 8)	411B0600	
RECTIFIER (Ref # 9)	21061-013	
MAT-RECTIFIER (Ref # 10)	32103-020	
WASHER PLAIN 5MM (Ref # 11)	410B0500	
WASHER SPRING 5MM (Ref # 12)	461F0500	
NUT,5MM (Ref # 13)	311B0500	
FLYWHEEL (Ref # 14)	21050-013	
STATOR ASSY (Ref # 15)	21003-017	
.COIL-LIGHTING,A (Ref # 16)	21047-017	
.COIL-LIGHTING B (Ref # 17)	21047-018	
.COIL-PRIMARY (Ref # 18)	21049-015	
.FELT OIL (Ref # 19)	21019-005	
.BREAKER-CONTACT (Ref # 20)	21008-020	
.~E/NO. 4999CONDENSER (Ref # 21)	21013-030	
CONDENSER (Ref # 21)	21013-030	
.BASE-MAGNETO (Ref # 22)	21048-009	
.WIRING HARNESS-MAIN (Ref # 23)	21029-023	
.SCREW PAN HEAD 5X30 (Ref # 24)	220B0530	
.WASHER SPRING 5MM (Ref # 25)	461F0500	
.SCREW-PAN-CROS,5X25 (Ref # 26)	220B0525	
.SCREW PAN HEAD 4X10 (Ref # 27)	220B0410	
.WASHER SPRING 4MM (Ref # 28)	461F0400	

1975 F11-B PARTS LIST

GENERATOR/RECTIFIER

ITEM NAME	PART NUMBER	QUANTITY
.SCREW PAN HEAD 4X6 (Ref # 29)	220B0406	
.GROMMET-WIRING HARN (Ref # 30)	92071-050	
.CLAMP WIRING HARNESS (Ref # 31)	21037-002	
.GROMMET WIRING HARN (Ref # 32)	21017-005	
SCREW PAN HEAD 5X20 (Ref # 33)	220B0520	
WASHER SPRING 5MM (Ref # 34)	461F0500	
WASHER PLAIN 5MM (Ref # 35)	410B0500	
SPARK PLUG B9HS (Ref # 36)	B9HS	
SPARK PLUG B9HS (Ref # 36)	B9HS	
SPARK PLUG B9HS (Ref # 36)	B9HS	