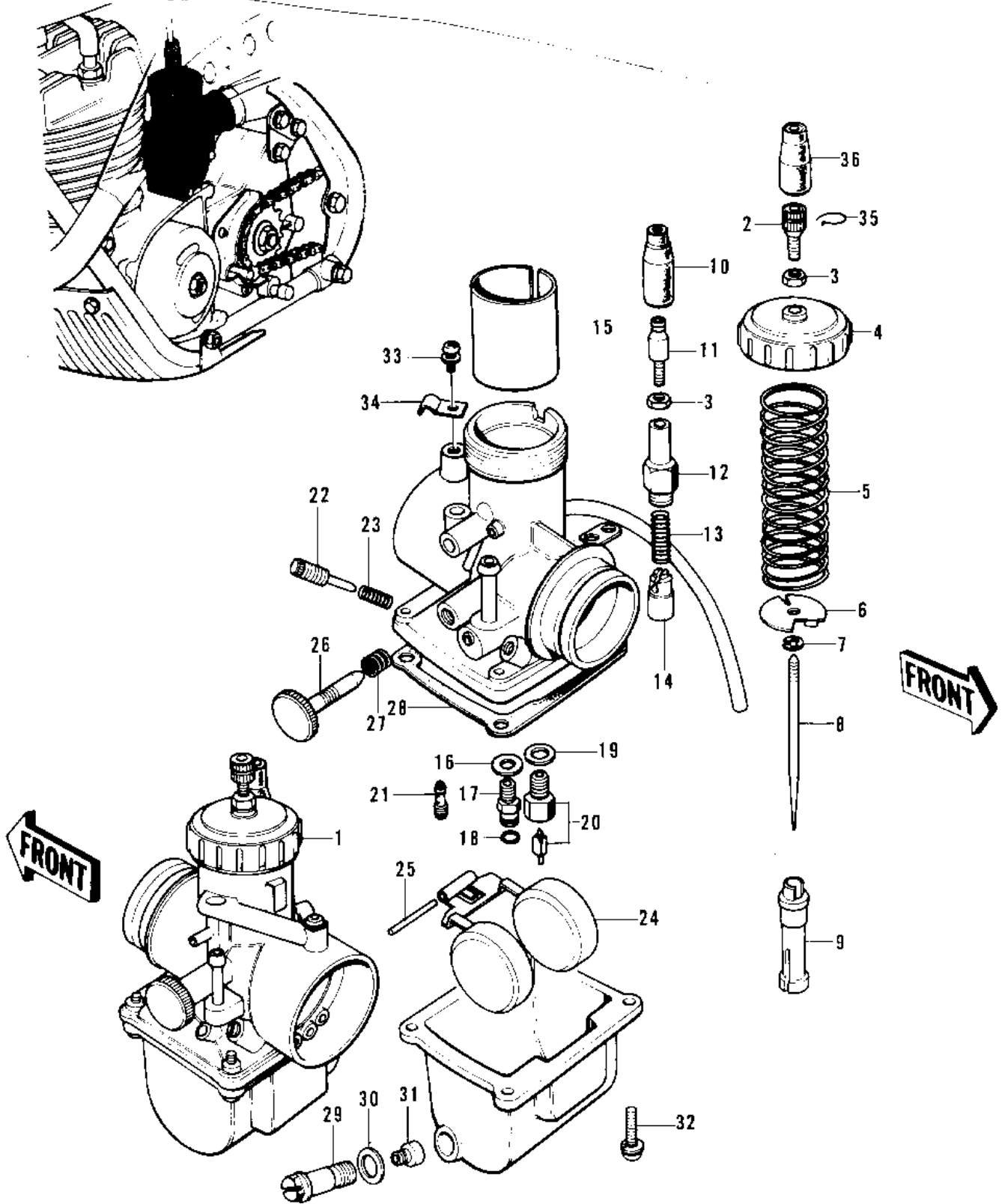


# 1975 F11-B PARTS DIAGRAM

CARBURETOR (73-75 F11/F11-A/F11-B)



# 1975 F11-B PARTS LIST

CARBURETOR ('73-'75 F11/F11-A/F11-B)

ITEM NAME	PART NUMBER	QUANTITY
CARBURETOR ASSY (Ref # 1)	16001-171	
CARBURETOR ASSY (Ref # 1)	16001-171	
CABLE ADJUSTER (Ref # 2)	16002-010	
NUT-CABLE ADJUST LOC (Ref # 3)	16003-006	
CAP-MIXING CHAMBER (Ref # 4)	16004-018	
UNAVAILABLE IN PRICE BOOK (Ref # 4)	16004-020	
SPRING THROTTLE VALV (Ref # 5)	16006-006	
SPRING THROTTLE VALV (Ref # 5)	16006-007	
SPRING SEAT-THRTL VL (Ref # 6)	16007-017	
CIRCLIP (Ref # 7)	16008-010	
JET NEEDLE 5DJ19 (Ref # 8)	16009-049	
NEEDLE JET,O-8 (Ref # 9)	16017-061	
NEEDLE JET,O-6 (Ref # 9)	16017-063	
CAP,CARBURETOR (Ref # 10)	16036-007	
CABLE ADJUSTER (Ref # 11)	16002-002	
CAP STARTER PLUNGER (Ref # 12)	16012-008	
SPRING-PLUNGER (Ref # 13)	16013-003	
PLUNGER-ENRICHNER (Ref # 14)	16016-002	
VALVE-THROTTLE,CA2.5 (Ref # 15)	16025-050	
VALVE-THROTTLE,CA2.5 (Ref # 15)	16025-047	
WASHER MAIN JET (Ref # 16)	16034-001	
HOLDER-NEEDLE JET (Ref # 17)	16065-014	
"0" RING (Ref # 18)	92055-044	
WASHER FLOAT VLV SEA (Ref # 19)	16029-004	
FLOAT VALVE ASSY (Ref # 20)	16030-005	
JET-PILOT NO 40 (Ref # 21)	92064-024	
JET-PILOT NO 30 (Ref # 21)	92064-022	
SCREW (Ref # 22)	16014-006	
SPRING-THR STOP SCRE (Ref # 23)	16022-007	

## 1975 F11-B PARTS LIST

CARBURETOR ('73-'75 F11/F11-A/F11-B)

ITEM NAME	PART NUMBER	QUANTITY
FLOAT (Ref # 24)	16031-023	
FLOAT PIN (Ref # 25)	16032-003	
SCREW-THROTTLE STOP (Ref # 26)	16021-017	
SPRING THR STOP SCRE (Ref # 27)	16022-005	
GASKET FLOAT CHAMBER (Ref # 28)	16019-008	
BOLT-BANJO (Ref # 29)	92001-118	
WASHER-BANJO BOLT (Ref # 30)	16034-006	
JET-MAIN NO 112.5R (Ref # 31)	92063-075	
JET-MAIN NO 115R (Ref # 31)	92063-076	
JET-MAIN NO 107.5R (Ref # 31)	92063-073	
MAIN JET,#110R (Ref # 31)	92063-1038	
JET-MAIN NO 117.5R (Ref # 31)	92063-077	
MAIN JET NO 120R (Ref # 31)	92063-078	
SCREW FLOAT CHAMBER (Ref # 32)	16033-009	
SCREW-CLAMP (Ref # 33)	16033-014	
CLAMP (Ref # 34)	16053-004	
CIRCLIP (Ref # 35)	92036-018	
CAP-CABLE ADJUSTER (Ref # 36)	16036-009	