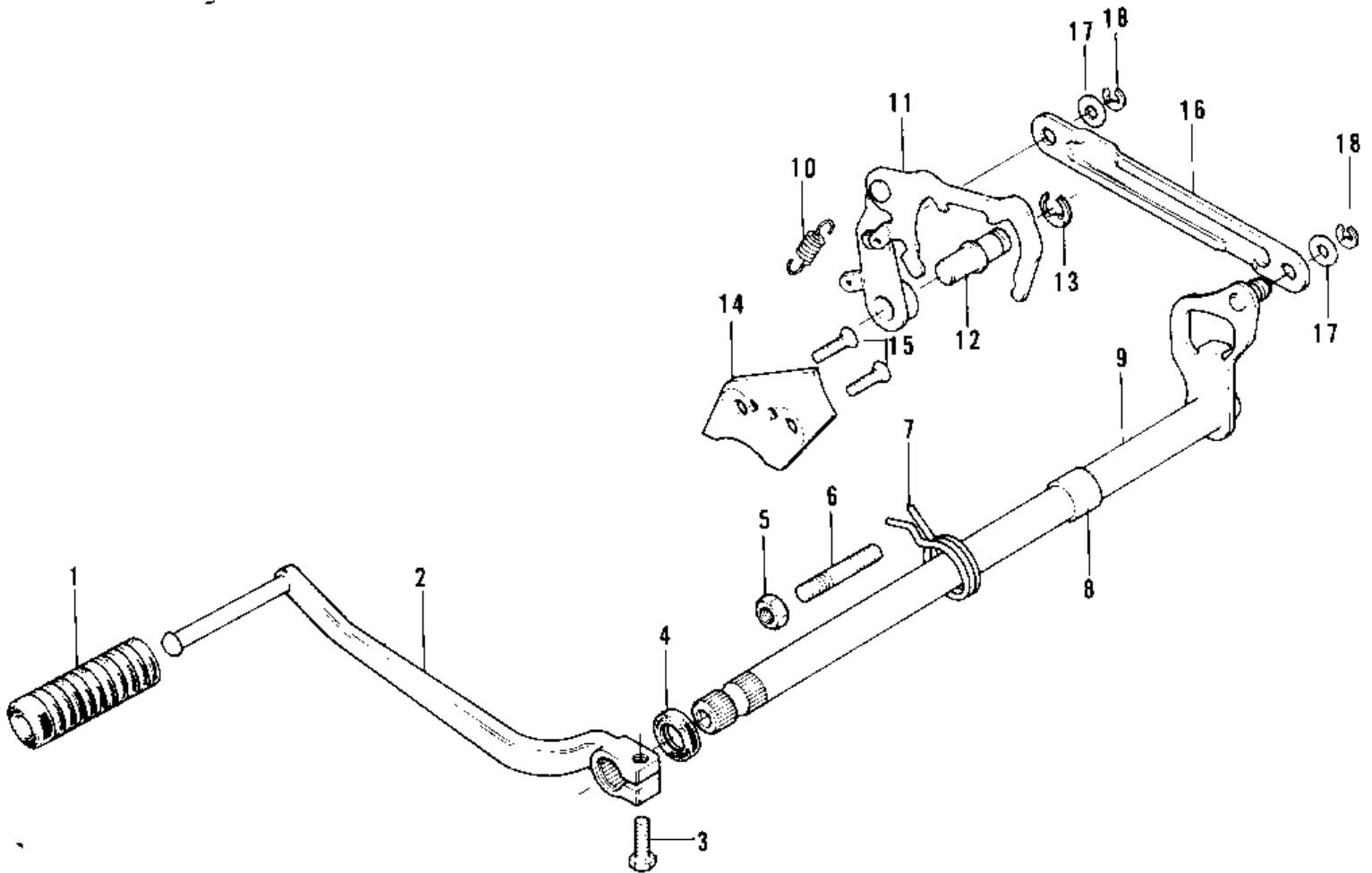


# 1975 F11-B PARTS DIAGRAM

GEAR CHANGE MECHANISM ('73-'75 F11/F11-A)



## 1975 F11-B PARTS LIST

GEAR CHANGE MECHANISM ('73-'75 F11/F11-A)

ITEM NAME	PART NUMBER	QUANTITY
RUBBER CHANGE PEDAL (Ref # 1)	13157-004	
PEDAL GEAR CHANGE (Ref # 1,2)	13156-043	
BOLT-UPSET,6X20 (Ref # 3)	112G0620	
BOLT-UPSET,6X20 (Ref # 3)	112G0620	
SEAL-OIL (Ref # 4)	92049-1271	
NUT 8MM (Ref # 5)	312B0800	
BOLT,RETURN SPRING (Ref # 6)	92001-1401	
SPRING,CHG PEDL RTN (Ref # 7)	92083-021	
COLLAR (Ref # 8)	92027-121	
SHAFT ASSY-CHNG PEDA (Ref # 9)	13172-002	
SPRING-CHANG LEVER (Ref # 10)	92081-101	
LEVER ASSY GEAR CHNG (Ref # 11)	13161-027	
PIN-CHANGE LEVER (Ref # 12)	92043-077	
CIRCLIP 8MM (Ref # 13)	482J8000	
PLATE-CHNG DRUM POTO (Ref # 14)	13169-008	
SCREW CNTSNK HD 6X14 (Ref # 15)	221B0614	
CONNECTOR (Ref # 16)	13159-011	
WASHER-PLAIN (Ref # 17)	92022-201	
CIRCLIP 6MM (Ref # 18)	482J6000	