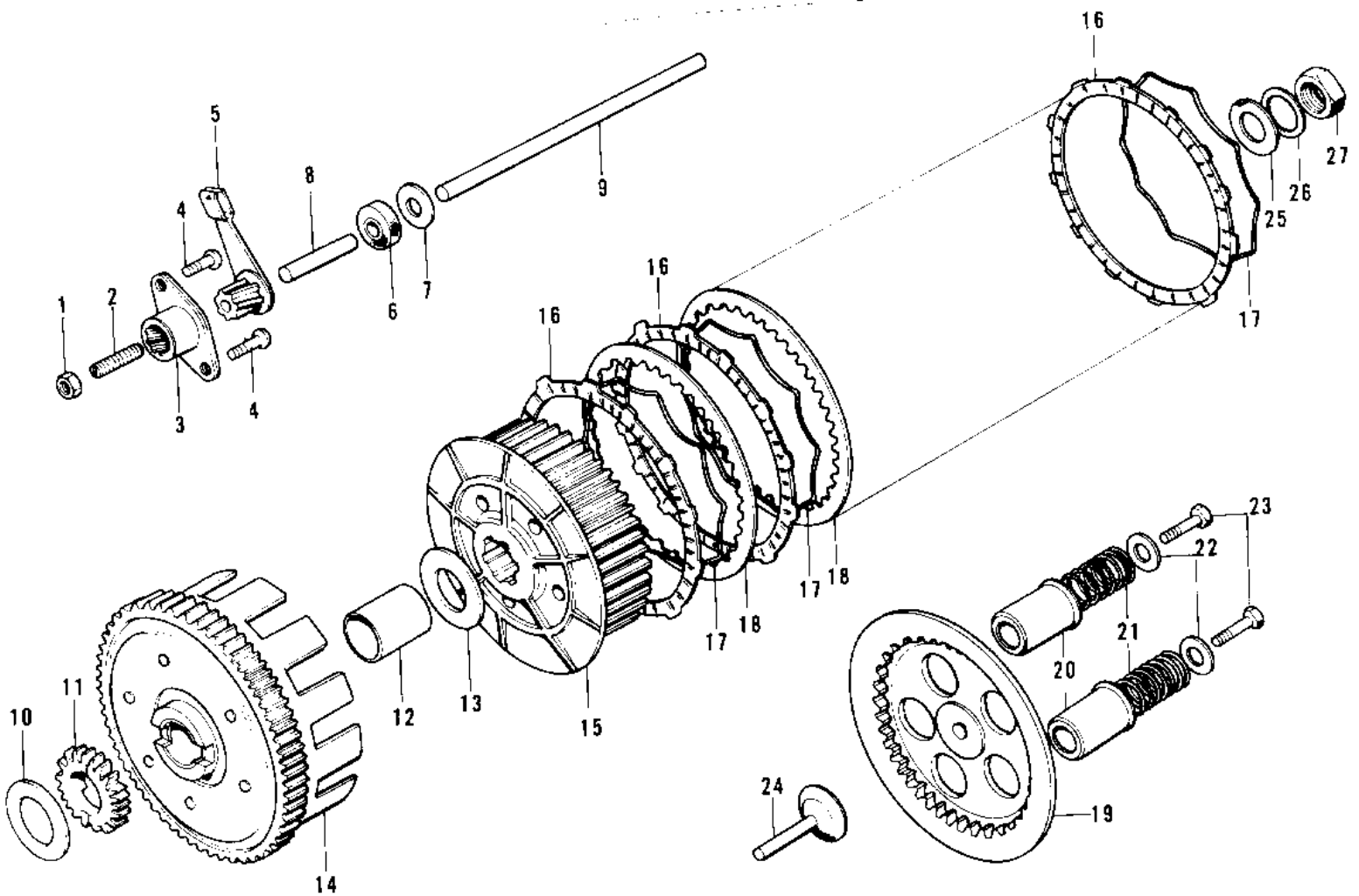


1975 F11-B PARTS DIAGRAM

CLUTCH (73-'75 F11/F11-A/F11-B)



1975 F11-B PARTS LIST

CLUTCH ('73-'75 F11/F11-A/F11-B)

ITEM NAME	PART NUMBER	QUANTITY
NUT 6MM (Ref # 1)	311B0600	
NUT 6MM (Ref # 1)	311B0600	
SCREW-CLUTCH ADJUST (Ref # 2)	92014-011	
RELEASE OUTER-CLUTCH (Ref # 3)	13118-005	
SCREW PAN HEAD 6X14 (Ref # 4)	220B0614	
RELEASE INNER-CLUTCH (Ref # 5)	13102-010	
OIL SEAL-CLTH PSH RO (Ref # 6)	92050-034	
WASHER-PLAIN,18MM (Ref # 7)	92026-073	
PUSH ROD-CLUTCH,SHOR (Ref # 8)	13116-013	
ROD-CLUTCH PUSH,LONG (Ref # 9)	13116-017	
WASHER-CLUTCH THRUST (Ref # 10)	92022-168	
CLUTCH-ASSY (Ref # 11~13)	13081-060	
PINION-KICKSTARTER (Ref # 11)	13075-008	
BUSHING (Ref # 12)	92028-105	
WASHER-PLAIN,20MM (Ref # 13)	92022-189	
CLUTCH ASSY (Ref # 14~23)	13081-041	
HOUSING-CLUTCH (Ref # 14)	13095-031	
HUB-CLUTCH (Ref # 15)	13087-029	
PLATE-CLUTCH FRICTIO (Ref # 16)	13088-029	
RING-CLUTCH STEEL (Ref # 17)	13229-003	
PLATE CLUTCH STEEL (Ref # 18)	13089-013	
PLATE-CLUTCH SPRING (Ref # 19)	13187-005	
GUIDE CLUTCH SPRING (Ref # 20)	13092-005	
SPRING-CLUTCH (Ref # 21)	92081-083	
HOLDER CL SPG6.5X20X (Ref # 22)	13091-009	
BOLT-UPSET (Ref # 23)	112G0618	
BOLT-UPSET (Ref # 23)	112G0618	
PUSHER-CLTCH SPRG PL (Ref # 24)	13116-020	
WASHER-PLAIN (Ref # 25)	92022-229	