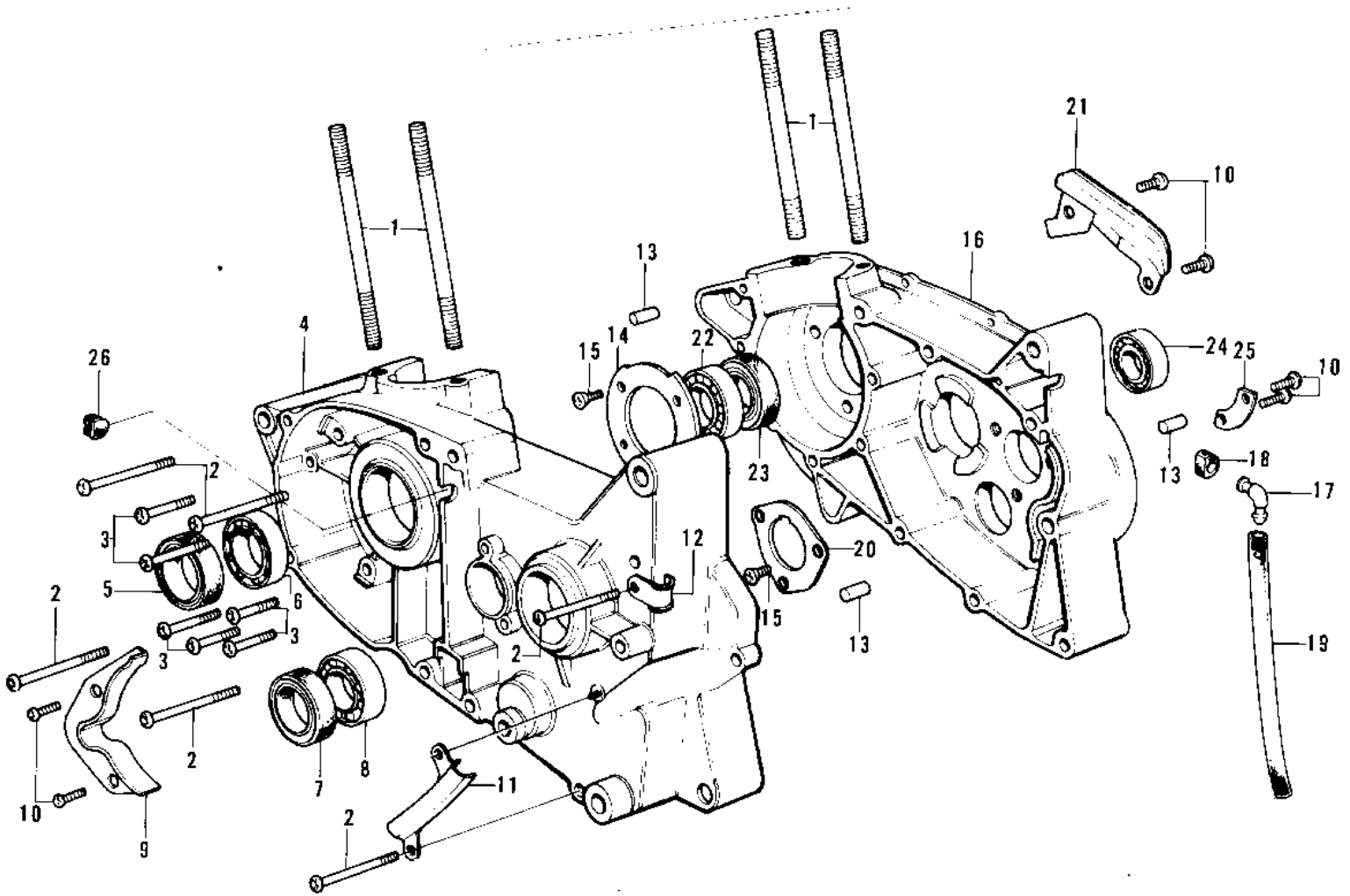


1975 F11-B PARTS DIAGRAM

CRANKCASE ('73-'75 F11/F11-A/F11-B)



1975 F11-B PARTS LIST

CRANKCASE ('73-'75 F11/F11-A/F11-B)

ITEM NAME	PART NUMBER	QUANTITY
STUD,10X95 (Ref # 1)	172G1095	
SCREW PAN HEAD 6X65 (Ref # 2)	220B0665	
SCREW PAN HEAD 6X45 (Ref # 3)	220B0645	
CRANKCASE-L.H,F.BLAC (Ref # 4)	14002-085-21	
SEAL-OIL (Ref # 5)	92049-1250	
BEARING BALL #6305 (Ref # 6)	601B6305	
OIL SEAL TB3040 (Ref # 7)	92050-033	
BEARING BALL #6205 (Ref # 8)	601B6205	
HOLDER-MISSION BERNG (Ref # 9)	14014-024	
SCREW PAN HEAD 6X12 (Ref # 10)	220B0612	
COVER A-WIRE HARNESS (Ref # 11)	14076-003	
COVER B-WIRE HARNESS (Ref # 12)	14076-004	
PIN,DOWEL,10X8.2X14 (Ref # 13)	92043-1037	
HOLDER-CRANK BEARING (Ref # 14)	14014-019	
SCREW CNTSNK HD 6X16 (Ref # 15)	221B0616	
CRANKCASE-R.H,F.BLAC (Ref # 16)	14003-059-21	
BREATHER ASSY (Ref # 17)	14069-1001	
GROMMET (Ref # 18)	92071-042	
PIPE-BREATHER (Ref # 19)	92059-061	
HOLDER-MISSION BERNG (Ref # 20)	14014-023	
RECEIVER-OIL (Ref # 21)	14015-004	
BEARING-BALL (Ref # 22)	92045-016	
OIL SEAL,TB38508 (Ref # 23)	653B385008	
BEARING BALL #6304 (Ref # 24)	601B6304	
HOLDER-MISSION BERNG (Ref # 25)	14014-020	
GROMMET (Ref # 26)	92071-061	