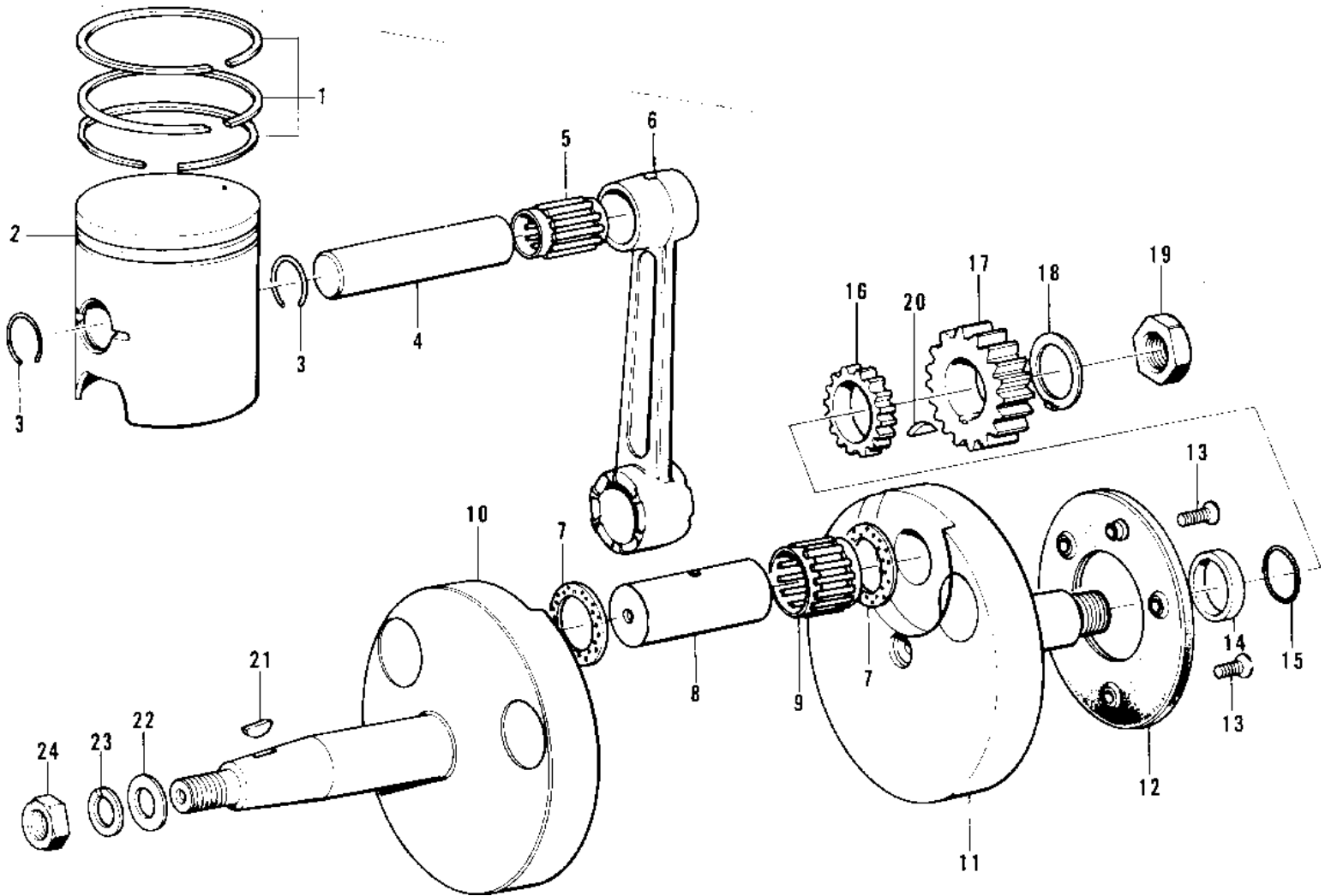


1974 F11-A PARTS DIAGRAM

CRANKSHAFT/PISTON ('73-'75 F11/F11-A/F11)



1974 F11-A PARTS LIST

CRANKSHAFT/PISTON ('73-'75 F11/F11-A/F11)

ITEM NAME	PART NUMBER	QUANTITY
RING SET,STD (Ref # 1)	13008-026	1
RING SET,0.020" O.S (Ref # 1)	13025-030	1
RING SET,0.040" O.S (Ref # 1)	13024-033	1
PISTON,STD (Ref # 2)	13001-053	1
PISTON,0.020' O.S (Ref # 2)	13029-055	1
PISTON,0.040' O.S (Ref # 2)	13027-053	1
CIRCLIP-PISTON PIN (Ref # 3)	92036-015	1
PIN-PISTON (Ref # 4)	13002-017	1
BEARING-SMALL END (Ref # 5)	13033-1010	1
CONNECTING ROD SET (Ref # 6~9)	13044-023	1
CRANK&CONROD ASSY (Ref # 6~13)	13036-037	1
SPACER (Ref # 7)	92026-1241	1
CRANK PIN (Ref # 8)	13035-031	1
PK243219.8XBEARING,BIG END NEED (Ref # 9)	13034-049	1
CRANKSHAFT,L.H (Ref # 10)	13037-049	1
CRANKSHAFT,R.H (Ref # 11)	13038-044	1
OIL RECEIVER (Ref # 12)	13045-009	1
SCREW OVL CNTSNK 5X1 (Ref # 13)	92012-002	1
COLLAR-CRANKSHAFT (Ref # 14)	92027-144	1
"0" RING,20MM (Ref # 15)	670B2020	1
PINION-OIL PUMP (Ref # 16)	16084-013	1
PINION-PRIMARY (Ref # 17)	13121-022	1
WASHER,LOCK,18MM (Ref # 18)	92024-067	1
NUT 18MM (Ref # 19)	92015-019	1
WOODRUFF KEY (Ref # 20)	510A5100	1
WOODRUFF KEY (Ref # 21)	92038-001	1
WASHER-PLAIN,14MM (Ref # 22)	92022-172	1
WASHER SPRING 14MM (Ref # 23)	461F1400	1
NUT 14MM (Ref # 24)	92015-043	1