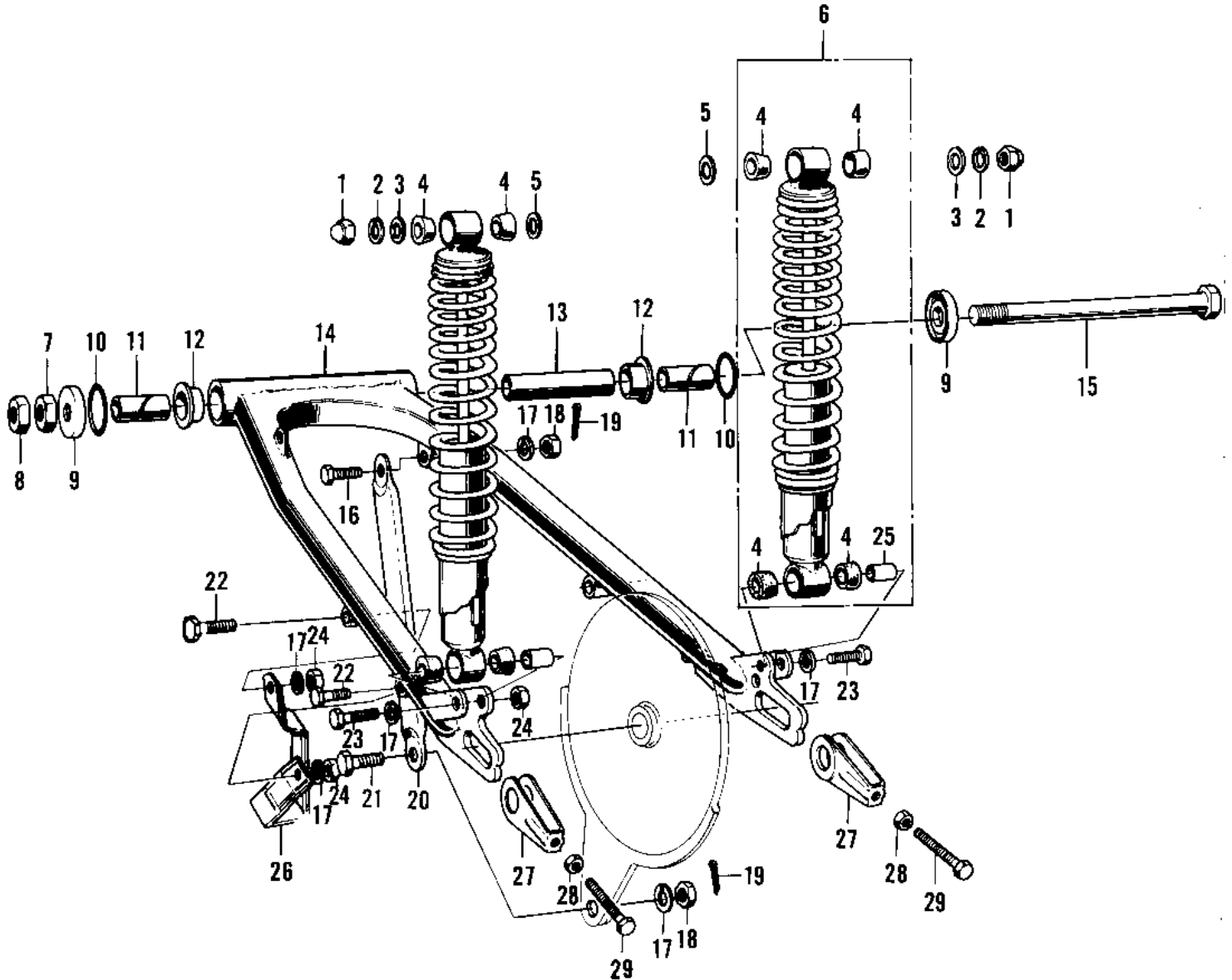


1972 F8-A PARTS DIAGRAM

SWING ARM SHOCK ABSORBERS



1972 F8-A PARTS LIST

SWING ARM SHOCK ABSORBERS

ITEM NAME	PART NUMBER	QUANTITY
NUT SHOCK ABSORBER (Ref # 1)	92020-003	2
WASHER SPRING 10MM (Ref # 2)	461F1000	2
WASHER-PL-10.5X26X2.3 (Ref # 3)	92022-044	2
BUSH SHOCK ABSORBER (Ref # 4)	45017-003	8
BUSH-SHOCK ABSORBER (Ref # 4)	45017-005	8
WASHER PLAIN 12MM (Ref # 5)	410B1200	2
SHOCK ABSBR RR (Ref # 6)	45014-060	2
NUT,14MM (Ref # 7)	314B1400	1
NUT,14MM (Ref # 7)	314B1400	1
NUT 14MM (Ref # 8)	315B1400	2
CAP-SWING ARM (Ref # 9)	33035-004	2
"O" RING,30MM (Ref # 10)	671B2530	2
SLEEVE-SWING ARM,SHRT (Ref # 11)	33034-013	2
BUSHING-SWING ARM (Ref # 12)	33033-009	2
BUSHING-SWING ARM (Ref # 12)	33033-009	2
SLEEVE-SWING ARM,LONG (Ref # 13)	33034-012	1
SWINGING ARM (Ref # 14)	33001-036	1
SHAFT-SWING ARM PIVOT (Ref # 15)	33032-025	1
BOLT TORQUE LINK FIT (Ref # 16)	92003-017	1
WASHER SPRING 10MM (Ref # 17)	461F1000	6
NUT,10MM (Ref # 18)	314B1000	2
NUT,10MM (Ref # 18)	314B1000	2
PIN COTTER 2.0X15 (Ref # 19)	550D2015	2
TORQUE LINK REAR BRK (Ref # 20)	43007-018	1
BOLT HEX HEAD 10X25 (Ref # 21)	92003-003	1
BOLT,HEX HEAD,10X50 (Ref # 22)	92001-1254	2
BOLT,HEX HEAD,10X50 (Ref # 22)	92001-1254	2
BOLT HEX HEAD 10X35 (Ref # 23)	113N1035	2
NUT 10MM (Ref # 24)	315B1000	2