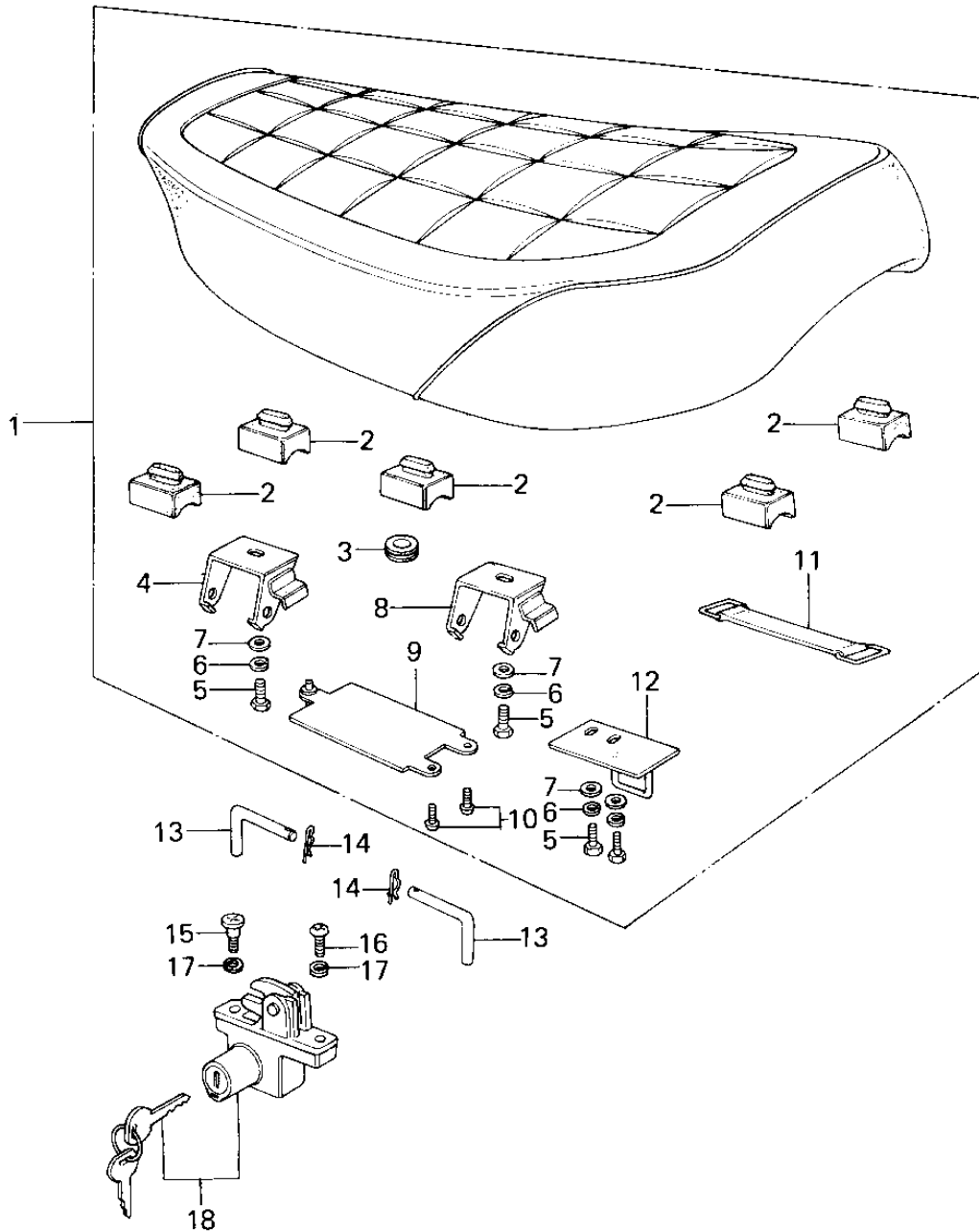


1978 KZ200-A1A PARTS DIAGRAM

SEAT



1978 KZ200-A1A PARTS LIST

SEAT

ITEM NAME	PART NUMBER	QUANTITY
SEAT-ASSY,DUAL,L/BAND (Ref # 1)	53001-1199	
SEAT-ASSY,DUAL,L/BAND (Ref # 1)	53001-1199	
DAMPER RUBBER (Ref # 2)	92075-099	
GROMMET (Ref # 3)	92071-056	
HINGE,FRONT (Ref # 4)	53009-039	
BOLT-UPSET 6X14 (Ref # 5)	112B0614	
WASHER SPRING 6MM (Ref # 6)	461F0600	
WASHER PLAIN 6MM (Ref # 7)	411B0600	
HINGE,REAR (Ref # 8)	53009-040	
CASE (Ref # 9)	32099-011	
SCREW PAN HEAD 5X8 (Ref # 10)	220B0508	
BAND (Ref # 11)	92072-1006	
HOOK,SEAT (Ref # 12)	53008-024	
PIN (Ref # 13)	53011-010	
COTTER PIN (Ref # 14)	92041-003	
BOLT,HELMET HOOK,6MM (Ref # 15)	92001-1021	
SCREW PAN HEAD 6X14 (Ref # 16)	220B0614	
WASHER SPRING 6MM (Ref # 17)	461F0600	
LOCK ASSY,SEAT (Ref # 18)	27016-5024	