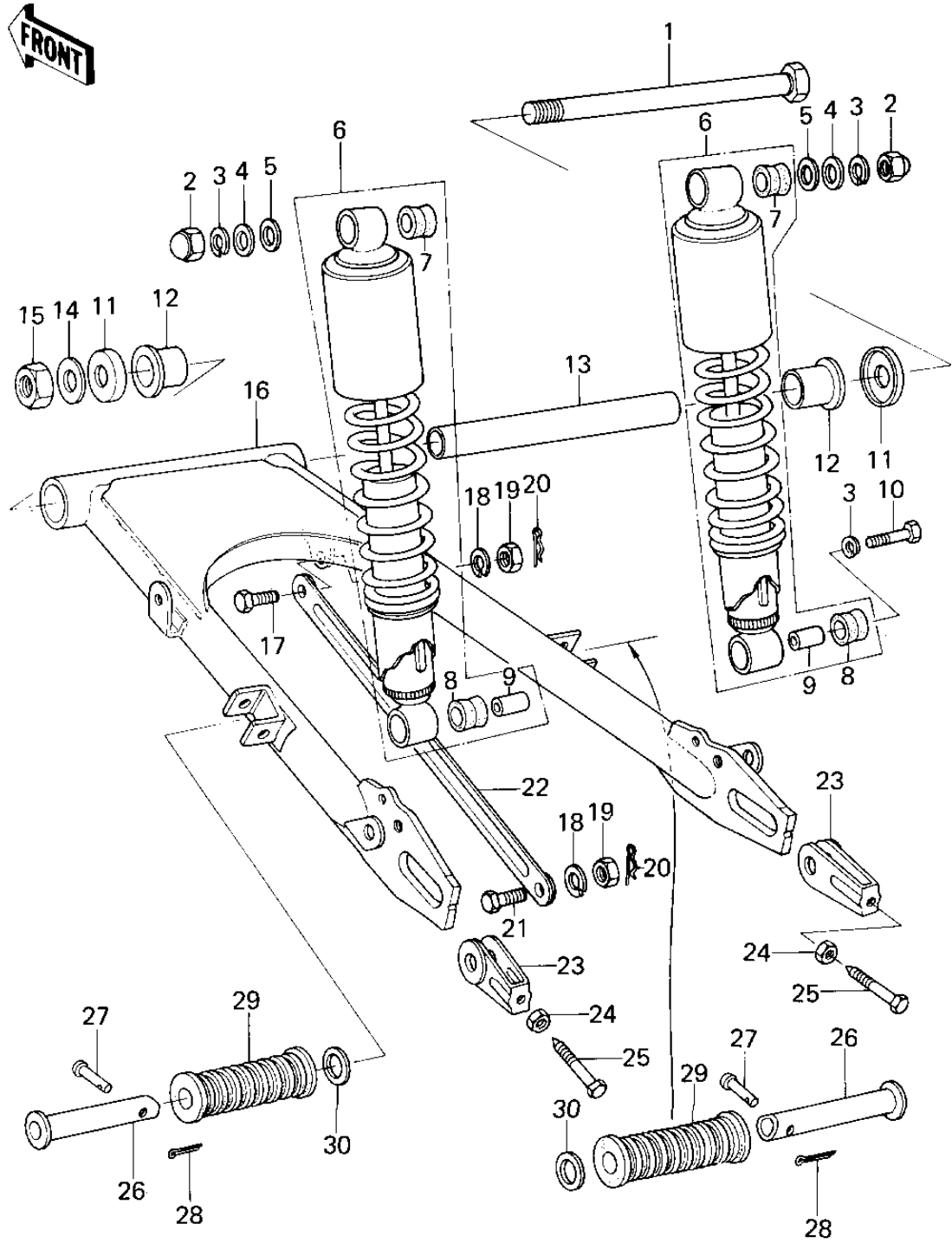


## 1978 KZ200-A1 PARTS DIAGRAM

SWING ARM/SHOCK ABSORBERS



## 1978 KZ200-A1 PARTS LIST

### SWING ARM/SHOCK ABSORBERS

ITEM NAME	PART NUMBER	QUANTITY
SHAFT-SWING ARM PIVOT (Ref # 1)	33032-037	1
NUT SHOCK ABSORBER (Ref # 2)	92020-003	1
WASHER SPRING 10MM (Ref # 3)	461F1000	2
WASHER PLAIN 10MM (Ref # 4)	411B1000	1
WASHER-PL-10.5X26X2.3 (Ref # 5)	92022-044	1
SHOCK ABSBR RR (Ref # 6)	45014-120	1
BUSHING,SHCK ABS RUB (Ref # 7)	45017-015	1
BUSHING, SHCK ABS RUB (Ref # 8)	45017-012	1
BUSHING,SHOCK ABSORB (Ref # 9)	45016-008	1
BOLT HEX HEAD 10X35 (Ref # 10)	113N1035	1
CAP,SWING ARM (Ref # 11)	33035-010	1
BUSHING-SWING ARM (Ref # 12)	33033-009	1
SLEEVE,SWING ARM (Ref # 13)	42036-1004	1
WASHER PLAIN 14MM (Ref # 14)	410B1400	1
NUT-LOCK,14MM (Ref # 15)	92019-011	1
ARM,SWING (Ref # 16)	33001-094	1
BOLT TORQUE LINK FIT (Ref # 17)	92003-017	1
NUT 10MM (Ref # 19)	315B1000	1
PIN,SNAP (Ref # 20)	554A0800	1
BOLT (Ref # 21)	92003-096	1
TORQUE LINK REAR BRK (Ref # 22)	43007-016	1
ADJUSTER,CHAIN (Ref # 23)	33040-1001	1
NUT 8MM (Ref # 24)	312B0800	1
BOLT,8X50 (Ref # 25)	92001-1399	1
BAR-RR FOOTREST (OPT) (Ref # 26)	34028-009	1
PIN (Ref # 27)	92043-1464	1
PIN COTTER 2.0X15 (Ref # 28)	550D2015	1
RUBBER,REAR FOOTREST (Ref # 29)	92076-024	1
WASHER-PLAIN (OPT) (Ref # 30)	92022-199	1