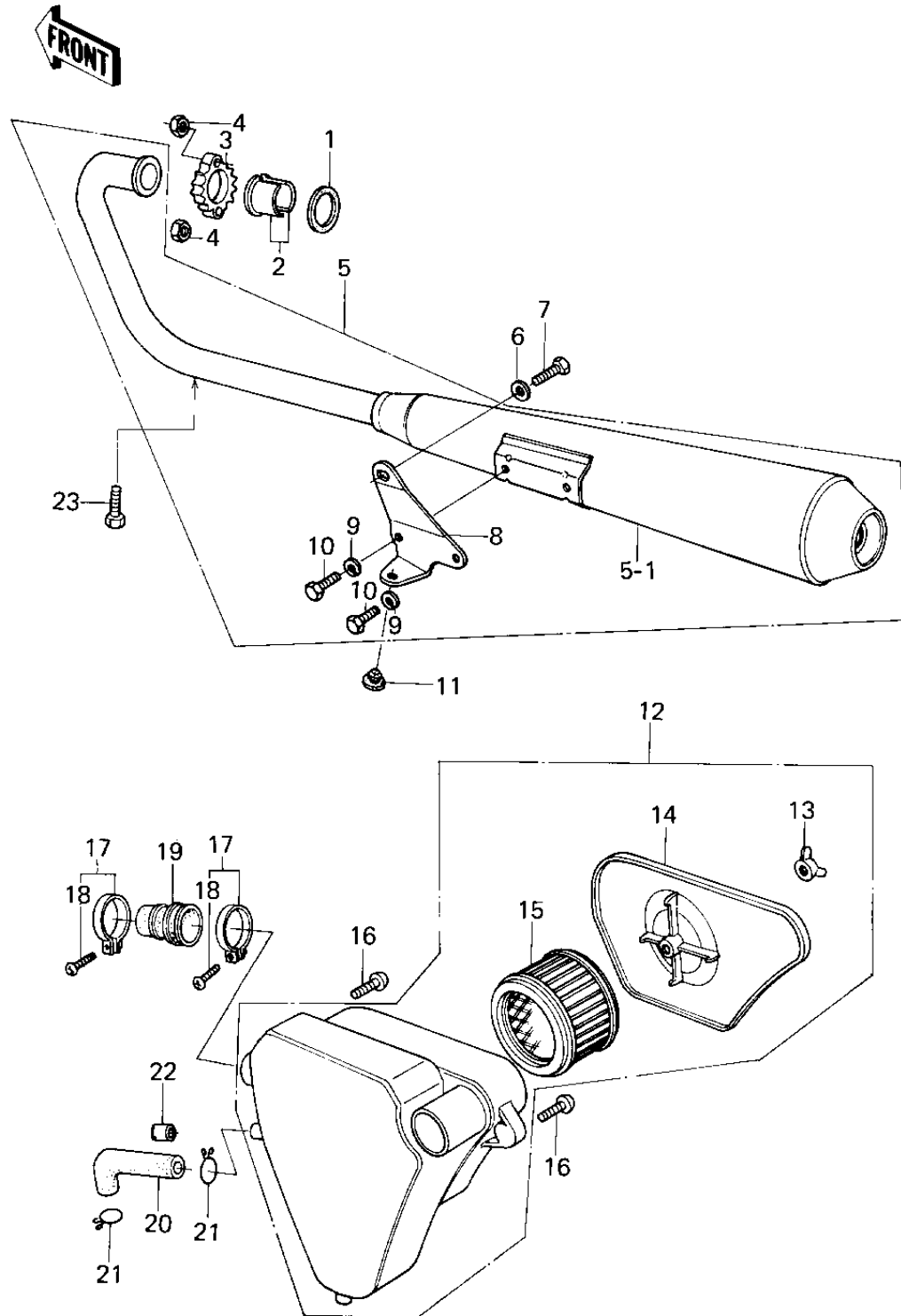


1978 KZ200-A1 PARTS DIAGRAM

AIR CLEANER/MUFFLER



1978 KZ200-A1 PARTS LIST

AIR CLEANER/MUFFLER

ITEM NAME	PART NUMBER	QUANTITY
GASKET,EXHAUST PIPE H (Ref # 1)	11009-1866	1
INSERT,EXHAUST PIPE (Ref # 2)	92027-278	1
HOLDER,EXHAUST PIPE (Ref # 3)	18069-1006	1
NUT,LOCK 6MM (Ref # 4)	92017-014	1
MUFFLER ASSY (Ref # 5)	18001-1197	2
MUFFLER ASSY (Ref # 5-1)	18001-5006	1
WASHER PLAIN 10MM (Ref # 6)	410B1000	1
BOLT,HEX HEAD,10X14 (Ref # 7)	113G1014	1
BRACKET,MUFFLER (Ref # 8)	18024-037	1
WASHER SPRING 8MM (Ref # 9)	461F0800	1
BOLT,8X20 (Ref # 10)	115G0820	1
DAMPER RUBB MAIN STAD (Ref # 11)	92075-015	1
AIR CLEANER ASSY (Ref # 12)	11010-1024	2
NUT,AIR CLEANER CAP (Ref # 13)	92016-062	1
CAP,AIR FILTER (Ref # 14)	11012-1281	1
ELEMENT,AIR CLNR (Ref # 15)	11013-059	1
SCREW PAN HEAD 6X10 (Ref # 16)	220B0610	1
CLAMP,CARBURETOR HLDR (Ref # 17)	92037-178	1
SCREW-PAN-CROS,5X25 (Ref # 18)	220B0525	1
PIPE,INLET (Ref # 19)	11015-065	1
TUBE,BREATHER (Ref # 20)	92059-138	1
CLAMP,BREATHER TUBE (Ref # 21)	92037-213	1
BREATHER VALVE (Ref # 22)	92062-1002	1
BOLT (6X10) (Ref # 23)	110R0610	1