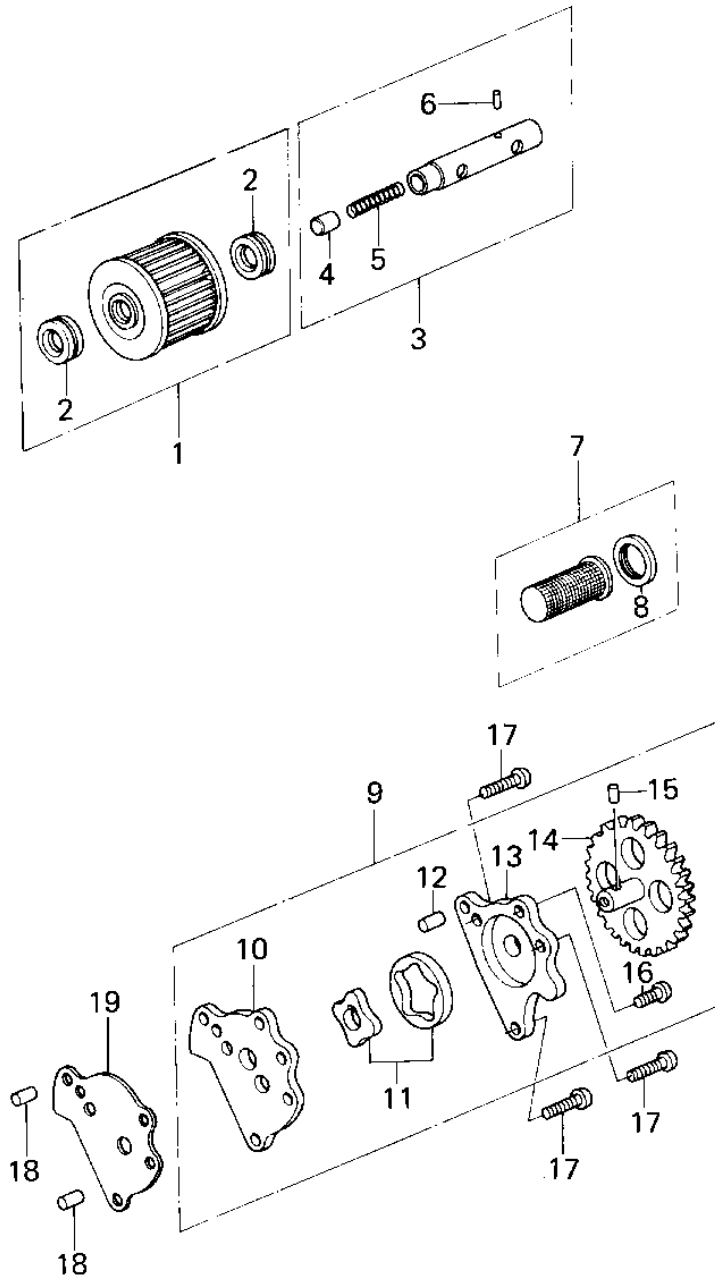


1978 KZ200-A1 PARTS DIAGRAM

OIL PUMP/OIL FILTER



1978 KZ200-A1 PARTS LIST

OIL PUMP/OIL FILTER

| ITEM NAME | PART NUMBER | QUANTITY |
|--------------------------------|-------------|----------|
| FILTER,OIL (Ref # 1) | 16099-004 | 1 |
| GROMMET,OIL FILTER (Ref # 2) | 92071-101 | 1 |
| BOLT ASSY,OIL FILTER (Ref # 3) | 16156-002 | 1 |
| PISTON (Ref # 4) | 92136-002 | 1 |
| SPRING,PISTON (Ref # 5) | 92081-043 | 1 |
| SPRING PIN (Ref # 6) | 92043-123 | 1 |
| STRAINER ASSY,OIL (Ref # 7) | 16097-1001 | 2 |
| GROMMET,OIL STRAINER (Ref # 8) | 92071-100 | 1 |
| OIL PUMP ASSY (Ref # 9) | 16082-066 | 1 |
| BODY,OIL PUMP (Ref # 10) | 16141-006 | 1 |
| ROTOR,OIL PUMP (Ref # 11) | 16154-5001 | 1 |
| PIN,DOWEL,6X8 (Ref # 12) | 551A0608 | 2 |
| COVER,OIL PUMP (Ref # 13) | 16142-006 | 1 |
| GEAR,OIL PUMP (Ref # 14) | 16085-026 | 1 |
| PIN,DOWEL (Ref # 15) | 92042-041 | 2 |
| SCREW PAN HEAD 6X14 (Ref # 16) | 220B0614 | 1 |
| SCREW PAN HEAD 6X25 (Ref # 17) | 220B0625 | 1 |
| GASKET,OIL PUMP (Ref # 19) | 11060-1115 | 1 |