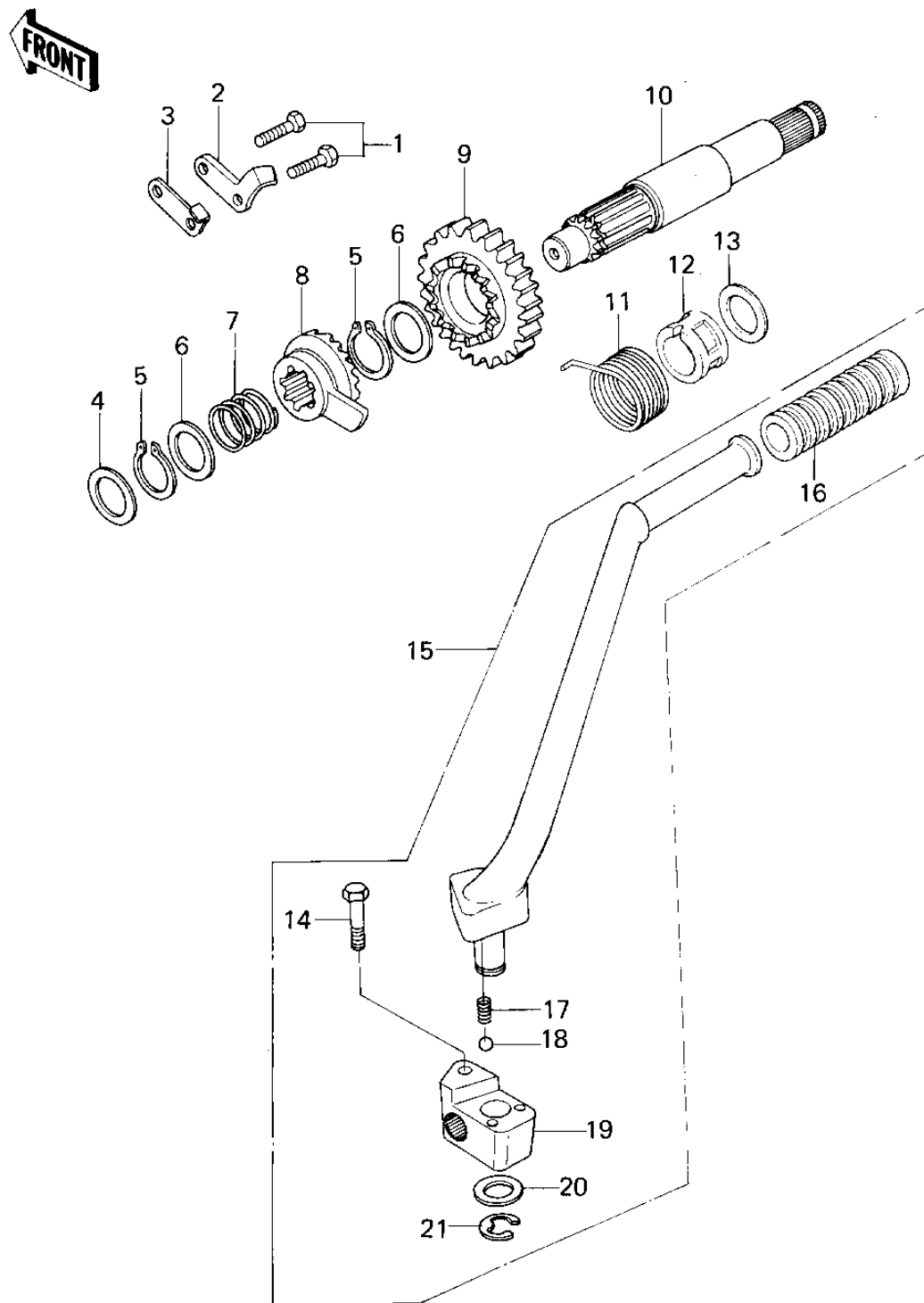


1979 KZ200-A2 PARTS DIAGRAM

KICKSTARTER MECHANISM



1979 KZ200-A2 PARTS LIST

KICKSTARTER MECHANISM

ITEM NAME	PART NUMBER	QUANTITY
BOLT-UPSET (Ref # 1)	112G0618	1
GUIDE,KICK RATCHET (Ref # 2)	13206-1004	1
STOPPER,KICKSTARTER (Ref # 3)	13072-017	1
WASHER,PLAIN (Ref # 4)	92022-269	1
CIRCLIP 16MM (Ref # 5)	480J1600	1
WASHER,PLAIN (Ref # 6)	92022-315	1
SPRING,RATCHET (Ref # 7)	92081-122	1
RATCHET,KL250-D2 (Ref # 8)	13078-1052	1
GEAR-COMP,KICKSTARTER (Ref # 9)	13216-1099	1
SHAFT,KICKSTARTER (Ref # 10)	13066-044	1
SPRING-KICKSTARTER (Ref # 11)	92082-003	1
GUID,KICKSTARTER SPRG (Ref # 12)	13070-011	1
WASHER THRUST (Ref # 13)	92022-118	1
BOLT HEX HEAD 8X32 (Ref # 14)	114G0832	1
PEDAL ASSY,KICKSTARTR (Ref # 15)	13064-1020	2
RUBBER KICK PEDAL (Ref # 16)	13063-004	1
SPRING (Ref # 17)	92081-154	1
BALL STEEL 1/4' (Ref # 18)	600A0800	1
BOSS,KICK PEDAL (Ref # 19)	13061-031	1
WASHER,PLAIN (Ref # 20)	92022-1019	1
CIR CLIP (Ref # 21)	482K0100	1