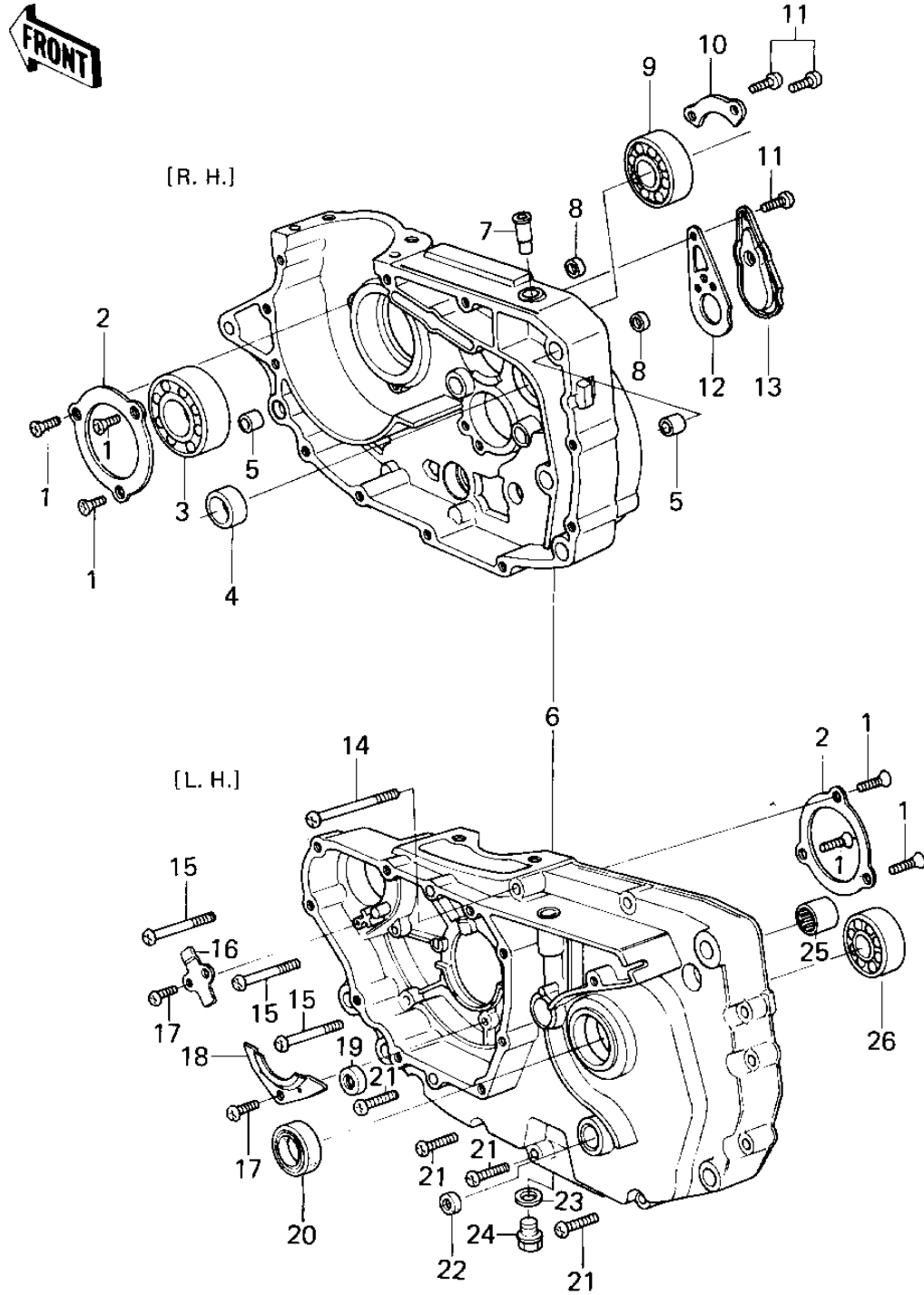


1978 KZ200-A1A PARTS DIAGRAM

CRANKCASE



1978 KZ200-A1A PARTS LIST

CRANKCASE

ITEM NAME	PART NUMBER	QUANTITY
SCREW CNTSNK HD 6X16 (Ref # 1)	221B0616	
PLATE,POSITIONING (Ref # 2)	14014-1004	
PLATE,POSITIONING (Ref # 2)	14014-1004	
BEARING,BALL,#6306 (Ref # 3)	92045-037	
BUSHING (Ref # 4)	92028-132	
PIN,DOWEL,14MM (Ref # 5)	92042-032	
SET-CRANKCASE (Ref # 6)	14001-5083	
BREATHER JOINT (Ref # 7)	14067-006	
PLUG (Ref # 8)	92066-1282	
BEARING,BALL#6006 (Ref # 9)	92045-038	
PLATE,POSITIONING (Ref # 10)	14014-037	
SCREW PAN HEAD 6X14 (Ref # 11)	220B0614	
GASKET (Ref # 12)	16079-002	
CAP (Ref # 13)	16078-002	
SCREW PAN HEAD 6X75 (Ref # 14)	220B0675	
SCREW PAN HEAD 6X55 (Ref # 15)	220B0655	
PLATE (Ref # 16)	13169-1010	
SCREW PAN HEAD 6X14 (Ref # 17)	220B0614	
PLATE,POSITIONING (Ref # 18)	14014-035	
OIL SEAL,PUSH ROD (Ref # 19)	92050-077	
SEAL-OIL,TC32457 (Ref # 20)	92049-1159	
SCREW PAN HEAD 6X30 (Ref # 21)	220B0630	
OIL SEAL,CHANGE SHAFT (Ref # 22)	92050-082	
GASKET,DRIN PLUG (Ref # 23)	92065-097	
PLUG,OIL DRAIN,12X15 (Ref # 24)	92066-1174	
BRG,NEEDLE,HMK1515B (Ref # 25)	92046-060	
BEARING BALL #6205 (Ref # 26)	601B6205	