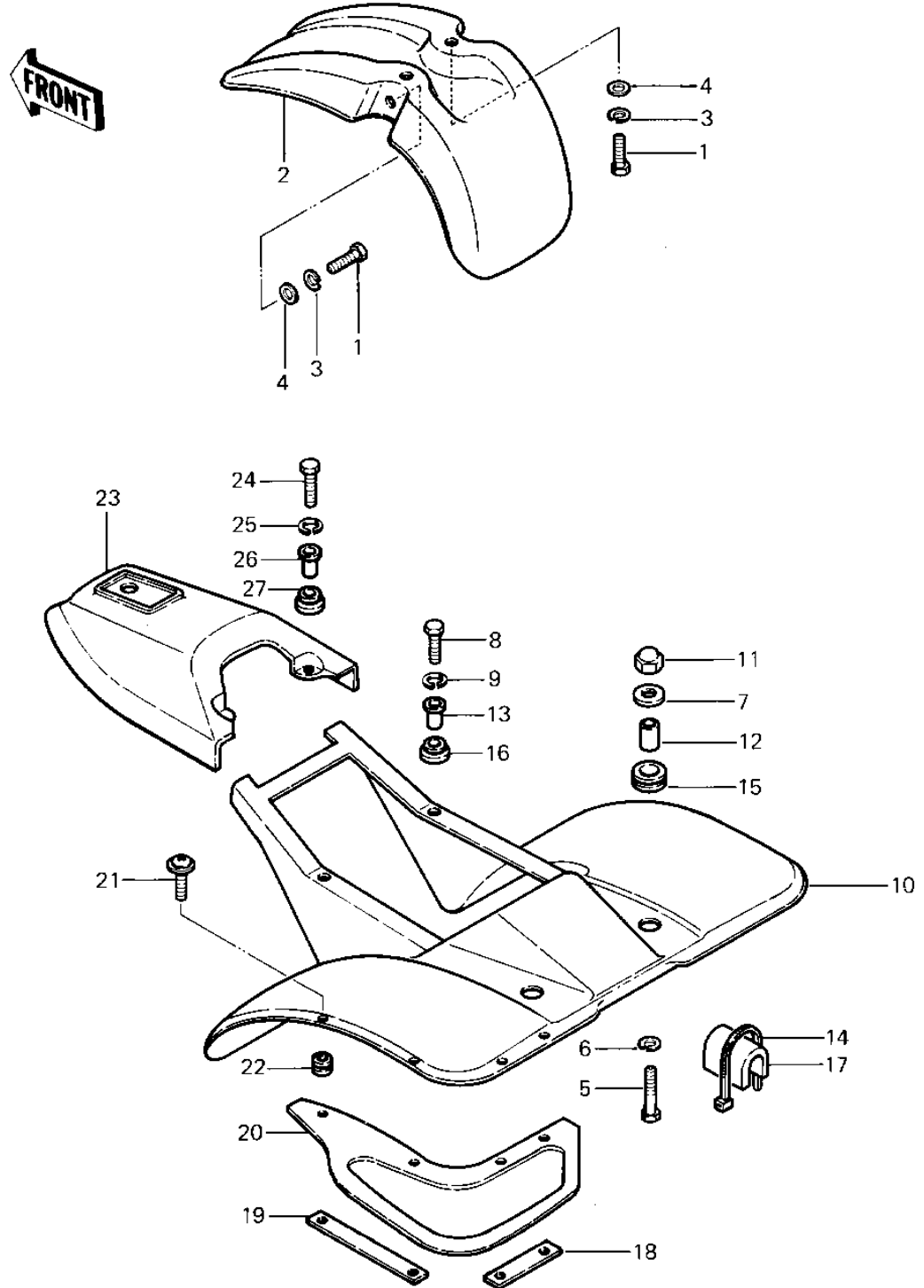


1983 Duckster PARTS DIAGRAM

FENDERS/COVER ('83 KLT200-A4/A4A)



1983 Duckster PARTS LIST

FENDERS/COVER ('83 KLT200-A4/A4A)

ITEM NAME	PART NUMBER	QUANTITY
BOLT-UPSET,6X16 (Ref # 1)	112G0616	4
FENDER-FR,BEIGE (Ref # 2)	35004-4005-8N	1
WASHER SPRING 6MM (Ref # 3)	461F0600	4
WASHER 6.5X20X1.6T (Ref # 4)	92022-125	4
BOLT-SMALL-UPSET 8X25 (Ref # 5)	115G0825	2
WASHER SPRING 8MM (Ref # 6)	461F0800	2
92022-101 (Canada) (Ref # 7)	92022-092	2
BOLT 6X22 (Ref # 8)	112B0622	2
WASHER SPRING 6MM (Ref # 9)	461F0600	2
FENDER-RR,BEIGE (Ref # 10)	35022-4002-8N	1
NUT,CAP,8M/M (Ref # 11)	323N0800	2
COLLAR (Ref # 12)	92027-102	2
COLLAR (Ref # 13)	92027-194	2
BAND (Ref # 14)	92072-3509	2
DAMPER RUBB TANK FRNT (Ref # 15)	92075-013	2
DAMPER RUBBER (Ref # 16)	92075-112	2
DAMPER (Ref # 17)	92075-4023	2
BRACKET,FLAP (Ref # 18)	11034-4062	2
BRACKET,FLAP (Ref # 19)	11034-4063	2
FLAP,BEIGE (Ref # 20)	35019-4004-8N	2
SCREW,6X20 (Ref # 21)	92009-1289	8
DAMPER RUBBER (Ref # 22)	92075-051	8
COVER,FR,BEIGE (Ref # 23)	14025-4008-8N	1
BOLT 6X22 (Ref # 24)	112B0622	2
WASHER SPRING 8MM (Ref # 25)	461F0800	2
COLLAR (Ref # 26)	92027-194	2
DAMPER RUBBER (Ref # 27)	92075-112	2