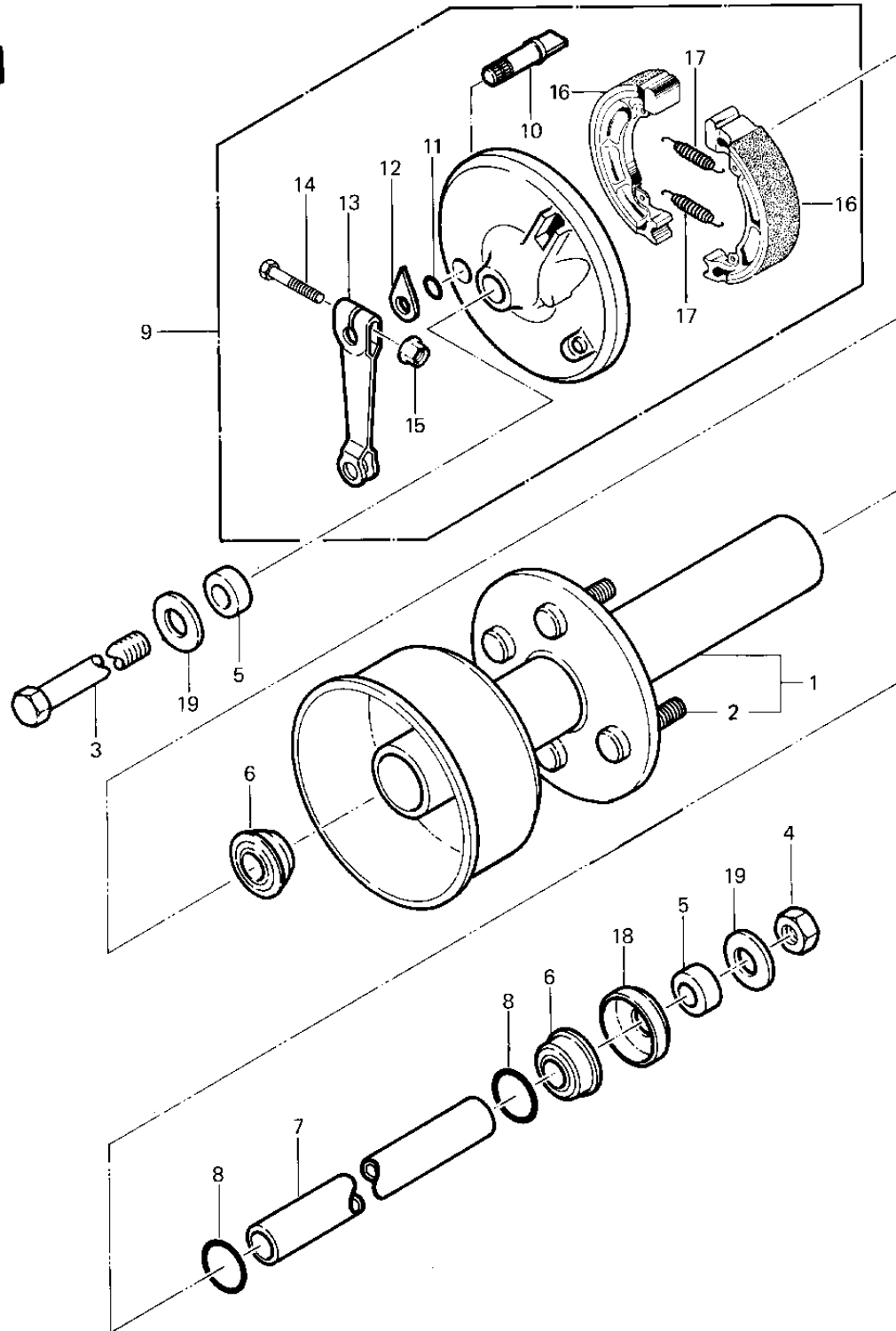


1983 Duckster PARTS DIAGRAM

FRONT HUB/BRAKE ('83 KLT200-A4/A4A)



1983 Duckster PARTS LIST

FRONT HUB/BRAKE ('83 KLT200-A4/A4A)

ITEM NAME	PART NUMBER	QUANTITY
DRUM ASSY (Ref # 1)	41038-4008	1
BOLT,LUG (Ref # 2)	92001-4006	4
AXLE,FRONT (Ref # 3)	41068-4003	1
NUT,LOCK 14M/M (Ref # 4)	92015-1122	1
COLLAR (Ref # 5)	92027-4009	2
BEARING BALL HUB-ASSY (Ref # 6)	92045-4005	2
PIPE,SPACER (Ref # 7)	32032-4109	1
"0" RING (Ref # 8)	92055-4001	2
PANEL-ASSY-BRAKE,FR (Ref # 9)	41035-1164	1
CAM SHAFT-FRONT BRAKE (Ref # 10)	41050-018	1
"0" RING,11MM (Ref # 11)	92055-004	1
INDICATOR,FR BK SHOE (Ref # 12)	41085-013	1
LEVER FRONT BRAKE CAM (Ref # 13)	41053-005	1
BOLT-UPSET (Ref # 14)	112G0630	1
NUT,6MM (Ref # 15)	41072-007	1
SHOE-BRAKE (Ref # 16)	41048-1085	2
SPRING,BRAKE SHOE (Ref # 17)	92081-1766	2
CAP (Ref # 18)	14022-4002	1
WASHER PLAIN 16MM (Ref # 19)	410B1600	2