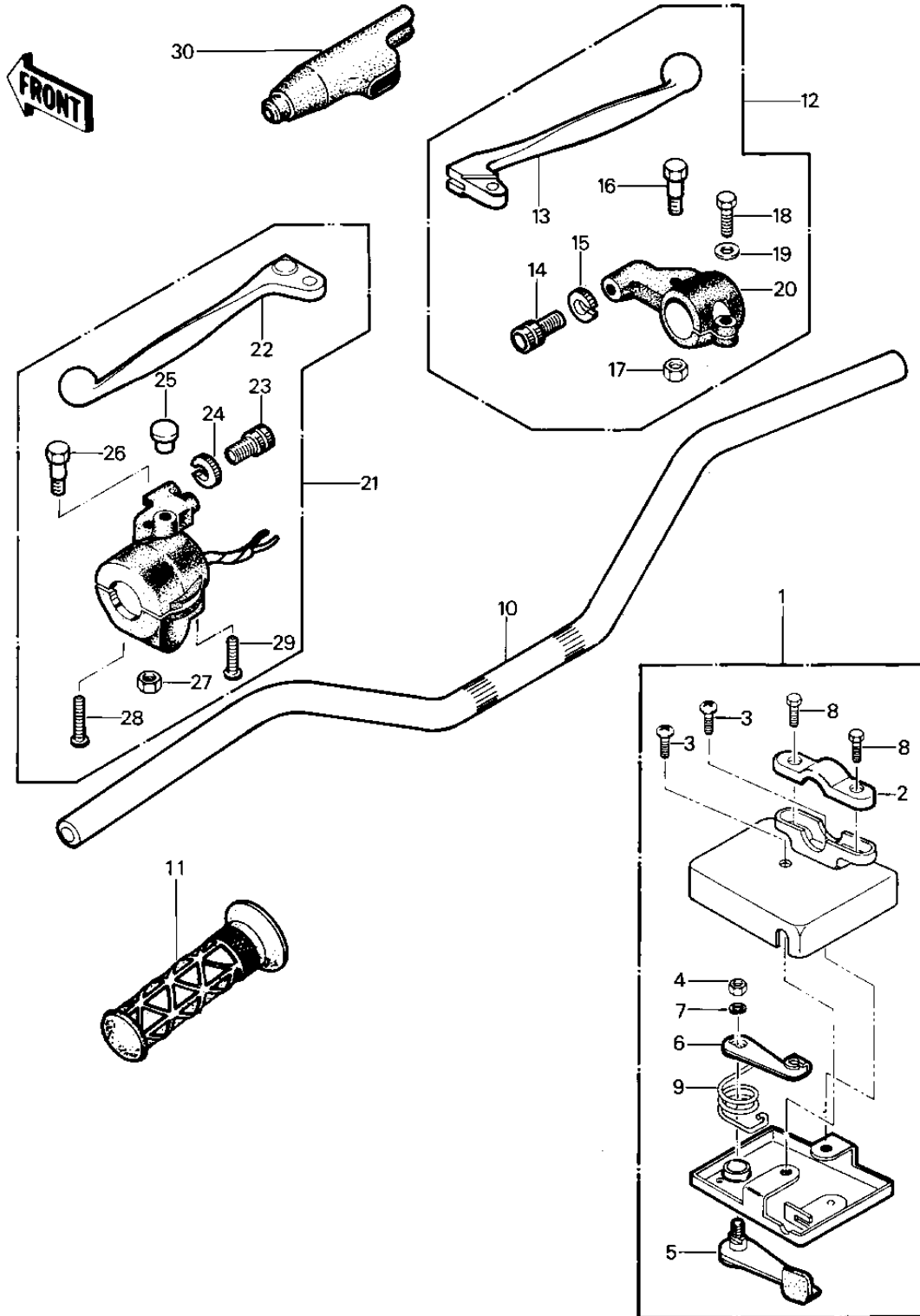


1983 Duckster PARTS DIAGRAM

HANDLEBAR ('83 KLT200-A4/A4A)



1983 Duckster PARTS LIST

HANDLEBAR ('83 KLT200-A4/A4A)

ITEM NAME	PART NUMBER	QUANTITY
LEVER-ASSY-THROTTLE (Ref # 1)	39074-4002	1
HOLDER,THROTTLE LEVER (Ref # 2)	13091-4017	1
SCREW-PAN-CROS,6X10,B (Ref # 3)	220C0610	2
NUT 6MM (Ref # 4)	311B0600	1
LEVER-THROTTLE (Ref # 5)	39075-4003	1
LEVER THROTTLE INNER (Ref # 6)	39075-4002	1
WASHER SPRING 6MM (Ref # 7)	461F0600	1
BOLT (Ref # 8)	92001-4024	2
SPRING RETURN (Ref # 9)	92081-4007	1
HANDLE BAR-BEIGE (Ref # 10)	46003-4007-8M	1
GRIP,RH (Ref # 11)	46075-4001	2
LEVER-ASSY-GRIP (Ref # 12)	46076-4002	1
LEVER-GRIP,BLACK (Ref # 13)	46092-4002	1
SCREW CABLE ADJUST (Ref # 14)	46055-003	1
NUT-LOCK (Ref # 15)	46056-005	1
BOLT (Ref # 16)	92001-4025	1
NUT-LOCK,5MM (Ref # 17)	92019-014	1
BOLT-UPSET,6X25,BLACK (Ref # 18)	112C0625	1
WASHER PLAIN (Ref # 19)	410F0600	1
HOLDER,FR LEVER,F.BLK (Ref # 20)	46060-011-21	1
HOUSING-ASSY-CONTROL. (Ref # 21)	46091-4005	1
LEVER-GRIP,CLUTCH (Ref # 22)	46092-4001	1
SCREW CABLE ADJUST (Ref # 23)	46055-003	1
NUT-LOCK (Ref # 24)	46056-005	1
PLUG,9.5X8 (Ref # 25)	92066-1077	1
BOLT (Ref # 26)	92001-4025	1
NUT-LOCK,5MM (Ref # 27)	92019-014	1
SCREW,PAN HEAD,5X38 (Ref # 28)	92009-1018	1
SCREW-PAN-CROS,5X25 (Ref # 29)	220B0525	1