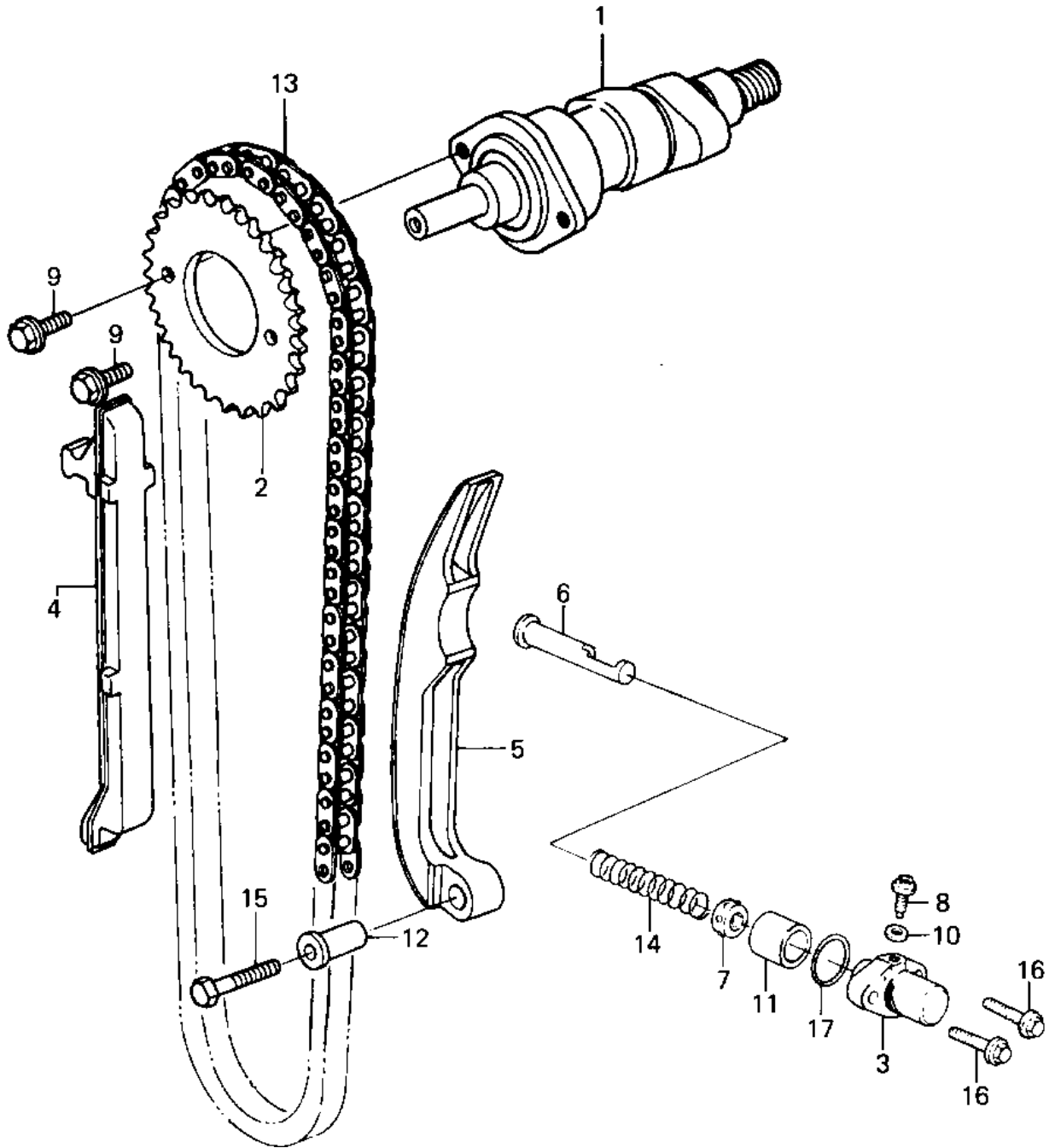


1983 Duckster PARTS DIAGRAM

CAMSHAFT/CHAIN/TENSIONER ('83 KLT200-A4/



E1230-0021



1983 Duckster PARTS LIST

CAMSHAFT/CHAIN/TENSIONER ('83 KLT200-A4/

ITEM NAME	PART NUMBER	QUANTITY
SHAFT,CAM (Ref # 1)	12044-1028	1
SPROCKET,CAM SHAFT (Ref # 2)	12046-1007	1
TENSIONER,CAM CHAIN (Ref # 3)	12049-1008	1
SLIPER,CAM CHAIN (Ref # 4)	12053-023	1
SLIPER,CAM CHAIN (Ref # 5)	12053-024	1
ROD,PUSH,CAM CHAIN (Ref # 6)	13116-1019	1
RETAINER (Ref # 7)	14020-1002	1
BELT,TENSIONER ADJUST (Ref # 8)	92001-1155	1
BOLT,SPROCKET FITTING (Ref # 9)	92003-208	2
WASHER OIL PUMP BANJO (Ref # 10)	92022-077	1
COLLAR,TENSIONER (Ref # 11)	92027-1273	1
COLLAR (Ref # 12)	92027-155	1
CHAIN,CAM (Ref # 13)	21070-013	1
SPRING,TENSIONER (Ref # 14)	92081-1105	1
BOLT-UPSET (Ref # 15)	112G0630	1
BOLT,FLANGED,6X25 (Ref # 16)	130G0625	2
"O" RING,22MM (Ref # 17)	670B2022	1