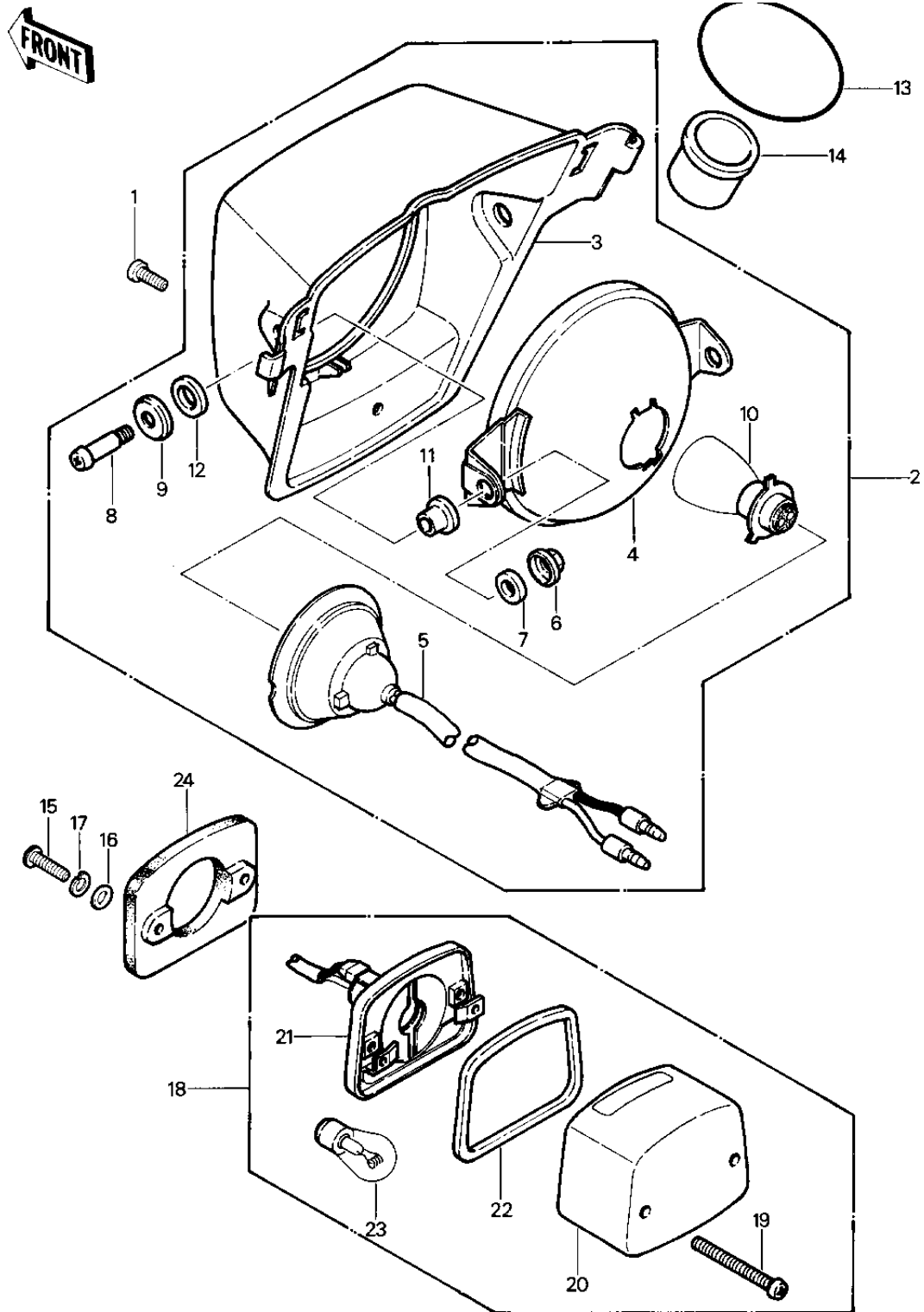


1982 KLT200 PARTS DIAGRAM

HEADLIGHT/TAILLIGHT ('81-'82 KLT200-A1/A)



1982 KLT200 PARTS LIST

HEADLIGHT/TAILLIGHT ('81-'82 KLT200-A1/A)

ITEM NAME	PART NUMBER	QUANTITY
SCREW PAN HEAD 6X12 (Ref # 1)	220B0612	1
LAMP ASSY HEAD, GREEN (Ref # 2)	23001-4002-6W	1
LAMP ASSY HEAD, BLACK (Ref # 2)	23001-4002-6D	1
BODY HEAD LAMP, GREEN (Ref # 3)	23005-4002-6W	1
BODY HEAD LAMP, BLACK (Ref # 3)	23005-4002-6D	1
LENS HEAD LAMP (Ref # 4)	23007-4001	1
SOCKET H.L. (Ref # 5)	23008-4004	1
NUT, HEAD LAMP RIM FIT (Ref # 6)	23020-023	2
WASHER-PLAIN, 5MM (Ref # 7)	23021-012	2
SCREW, HEAD LAMP (Ref # 8)	92009-4003	2
WASHER, HEAD LAMP (Ref # 9)	92022-4005	2
BULB 12V 35/25W (Ref # 10)	92069-037	1
DAMPER, HEAD LAMP (Ref # 11)	92075-4009	2
DAMPER, HEAD LAMP (Ref # 12)	92075-4010	2
"O" RING (Ref # 13)	671B2585	2
DAMPER (Ref # 14)	92075-4005	2
SCREW PAN HEAD 5X18 (Ref # 15)	220B0518	2
WASHER PLAIN 5MM (Ref # 16)	410B0500	2
WASHER SPRING 5MM (Ref # 17)	461F0500	2
LAMP, TAIL (Ref # 18)	23025-4001	1
SCREW-PAN-CROS (Ref # 19)	220B0330	2
LENS, TAIL LAMP (Ref # 20)	23026-040	1
CASE, TAIL LAMP (Ref # 21)	23027-044	1
GASKET, TAIL LIGHT (Ref # 22)	23028-020	1
BULB, 12V 32/3CP (Ref # 23)	92069-059	1
DAMPER RUBBER (Ref # 24)	92075-4014	1