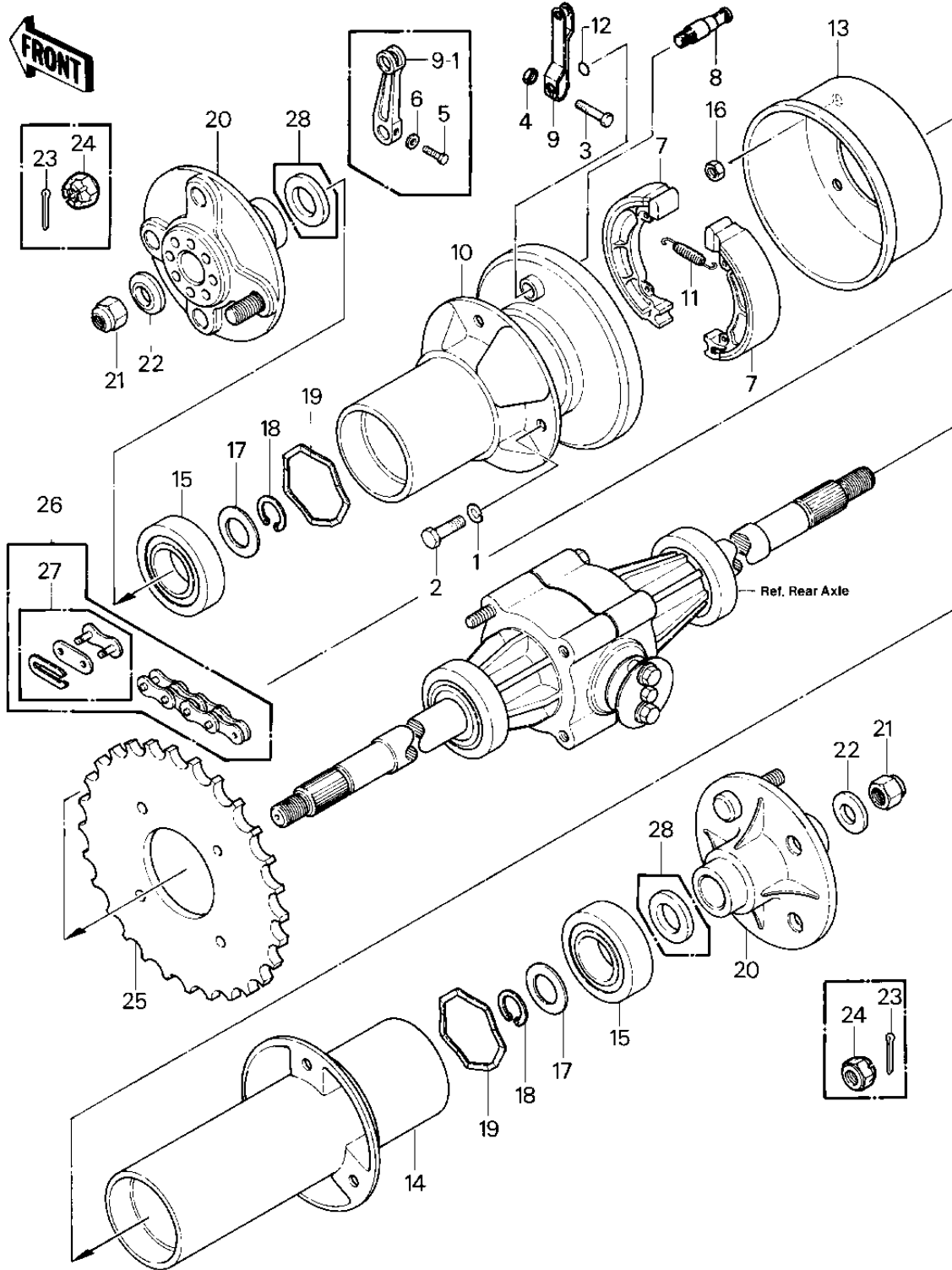


# 1982 KLT200 PARTS DIAGRAM

REAR BRAKE/CHAIN ('81-'82 KLT200-A1/A2/A)



# 1982 KLT200 PARTS LIST

REAR BRAKE/CHAIN ('81-'82 KLT200-A1/A2/A)

ITEM NAME	PART NUMBER	QUANTITY
WASHER SPRING 10MM (Ref # 1)	461F1000	6
BOLT (Ref # 2)	92001-160	6
BOLT-UPSET (Ref # 5)	112G0622	1
WASHER PLAIN 6MM (Ref # 6)	411B0600	1
SHOE-BRAKE (Ref # 7)	41048-1068	2
CAM SHAFT,BRAKE (Ref # 8)	41050-1002	1
LEVER BRAKE CAM (Ref # 9-1)	41053-1022	1
PANEL,REAR BRAKE (Ref # 10)	42016-4001	1
SPRING-BRAKE SHOE (Ref # 11)	42020-004	2
"O" RING,15MM (Ref # 12)	670B2015	1
DRUM (Ref # 13)	41038-4005	1
HOUSING,BEARING (Ref # 14)	41046-4001	1
BEARING (Ref # 15)	601A6008UU	2
NUT,HUB (Ref # 16)	92015-4012	4
SPRING,BEARING (Ref # 19)	92081-4013	2
HUB (Ref # 20)	49030-4001	2
WASHER,STEERG STM HD (Ref # 22)	92022-230	2
PIN COTTER 4.0X30 (Ref # 23)	550D4030	2
NUT (Ref # 24)	92015-4015	2
SPROCKET-HUB,50T (Ref # 25)	42041-4004	1
DR CHAIN 520X98 (Ref # 26)	92057-106	1
CHAIN JOINT 520 (Ref # 27)	92058-1001	1
WASHER (Ref # 28)	92022-4020	2