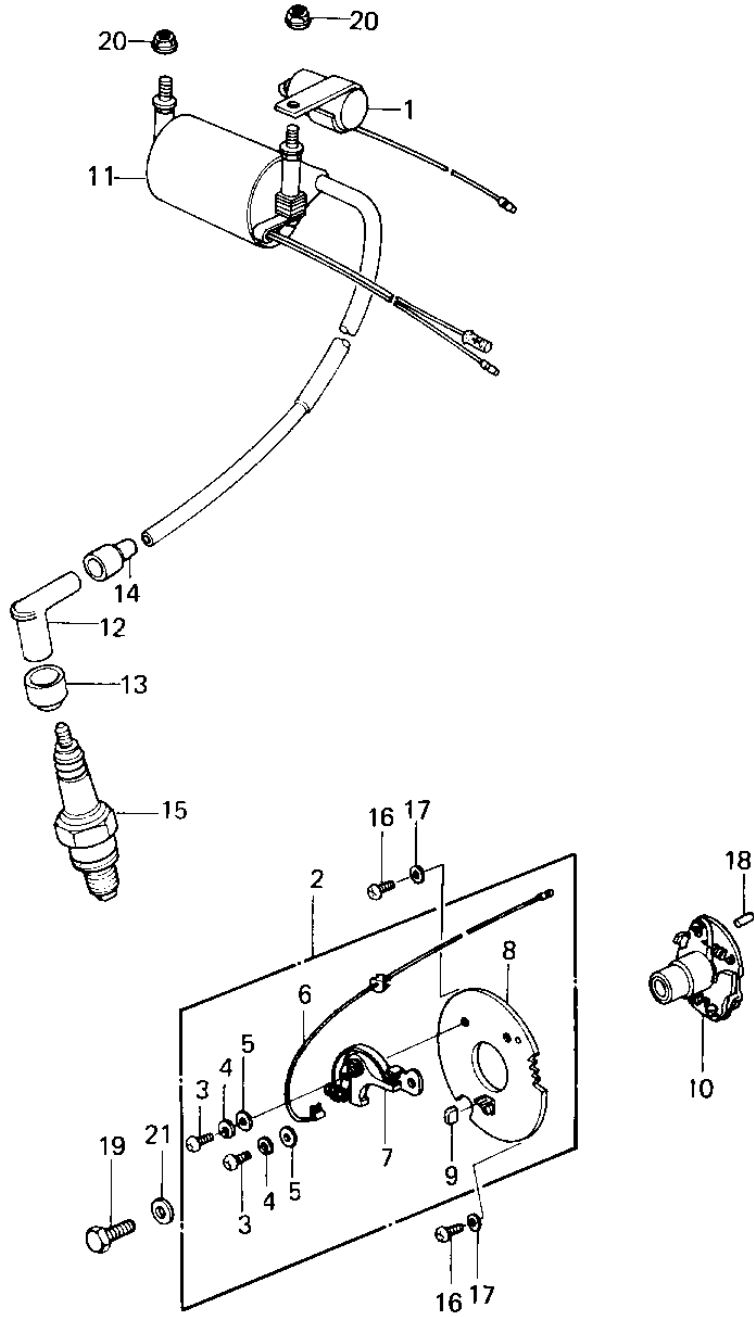


# 1982 KLT200 PARTS DIAGRAM

IGNITION (CONTACT BREAKER)



# 1982 KLT200 PARTS LIST

## IGNITION (CONTACT BREAKER)

ITEM NAME	PART NUMBER	QUANTITY
CONDENSER (Ref # 1)	21013-036	1
BREAKER ASSY, CONTACT (Ref # 2)	21135-013	1
SCREW PAN HEAD 4X6 (Ref # 3)	220B0406	2
WASHER SPRING 4MM (Ref # 4)	461F0400	2
WASHER PLAIN 4MM (Ref # 5)	410B0400	2
WIRING HARNESS,CONTACT (Ref # 6)	26001-1020	1
BREAKER,CONTACT (Ref # 7)	21008-1002	1
BASE,CONTACT BREAKER (Ref # 8)	21021-1001	1
FELT OIL (Ref # 9)	21019-005	1
ADVANCER,AUTOMATIC (Ref # 10)	21148-013	1
COIL,IGNITION (Ref # 11)	21121-1044	1
CAP-SPARK PLUG,RTFM20 (Ref # 12)	21130-1007	1
GROMMET-PLUG CAP,A (Ref # 13)	21131-004	1
GROMMET,SPARK PLG CAP (Ref # 14)	21132-005	1
SPARK PLUG B7ES (Ref # 15)	B7ES	1
SCREW PAN HEAD 6X10 (Ref # 16)	220B0610	2
WASHER PLAIN 6MM (Ref # 17)	410B0600	2
PIN DOWEL 3X8 (Ref # 18)	551A0308	1
BOLT,6X14 (Ref # 19)	92003-221	1
NUT-6MM (Ref # 20)	92015-1078	2
WASHER,PLAIN (Ref # 21)	92022-323	1