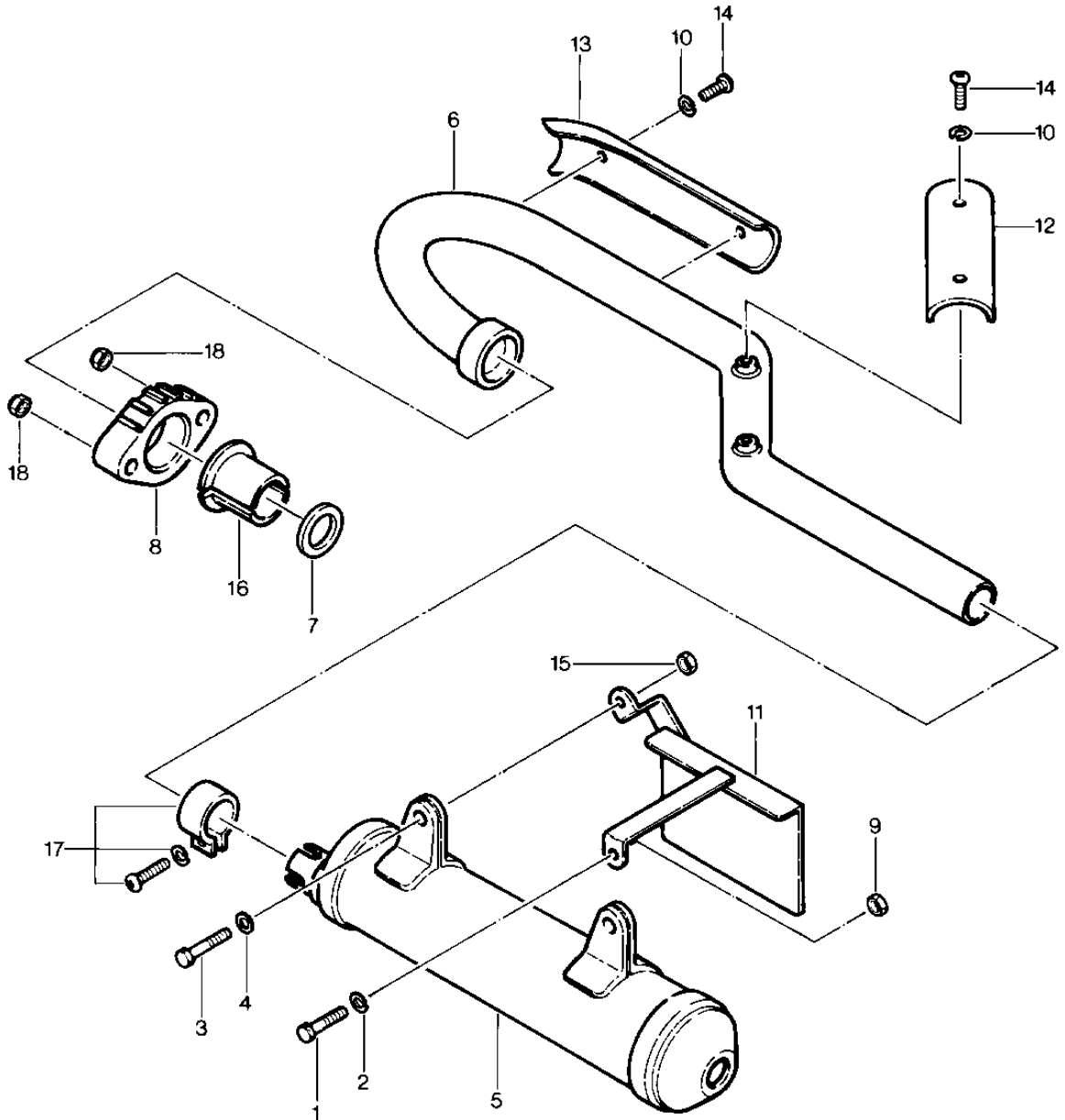


# 1982 KLT200 PARTS DIAGRAM

MUFFLER ('81-'82 KLT200-A1/A2/A3)



# 1982 KLT200 PARTS LIST

MUFFLER ('81-'82 KLT200-A1/A2/A3)

ITEM NAME	PART NUMBER	QUANTITY
BOLT-SMALL-UPSET,8X18 (Ref # 1)	115G0818	1
WASHER SPRING 8MM (Ref # 2)	461F0800	1
BOLT,8X20 (Ref # 3)	115G0820	1
WASHER PLAIN 8MM (Ref # 4)	410B0800	1
MUFFLER (Ref # 5)	18001-1451	1
PIPE-EXHAUST (Ref # 6)	18049-1131	1
GASKET,EXHAUST PIPE H (Ref # 7)	11009-1866	1
CLAMP EXHAUST PIPE (Ref # 8)	18069-004	1
NUT,8M/M (Ref # 9)	317B0800	1
WASHER SPRING 6MM (Ref # 10)	461F0600	4
COVER-EXHAUST PIPE (Ref # 12)	49107-1002	1
COVER-EXHAUST PIPE (Ref # 13)	49107-1003	1
SCREW (Ref # 14)	92009-1054	4
NUT-8MM (Ref # 15)	92015-1143	1
INSERT,EXHAUST PIPE (Ref # 16)	92027-278	2
CLAMP,MUFFLER FITTING (Ref # 17)	92037-1035	1