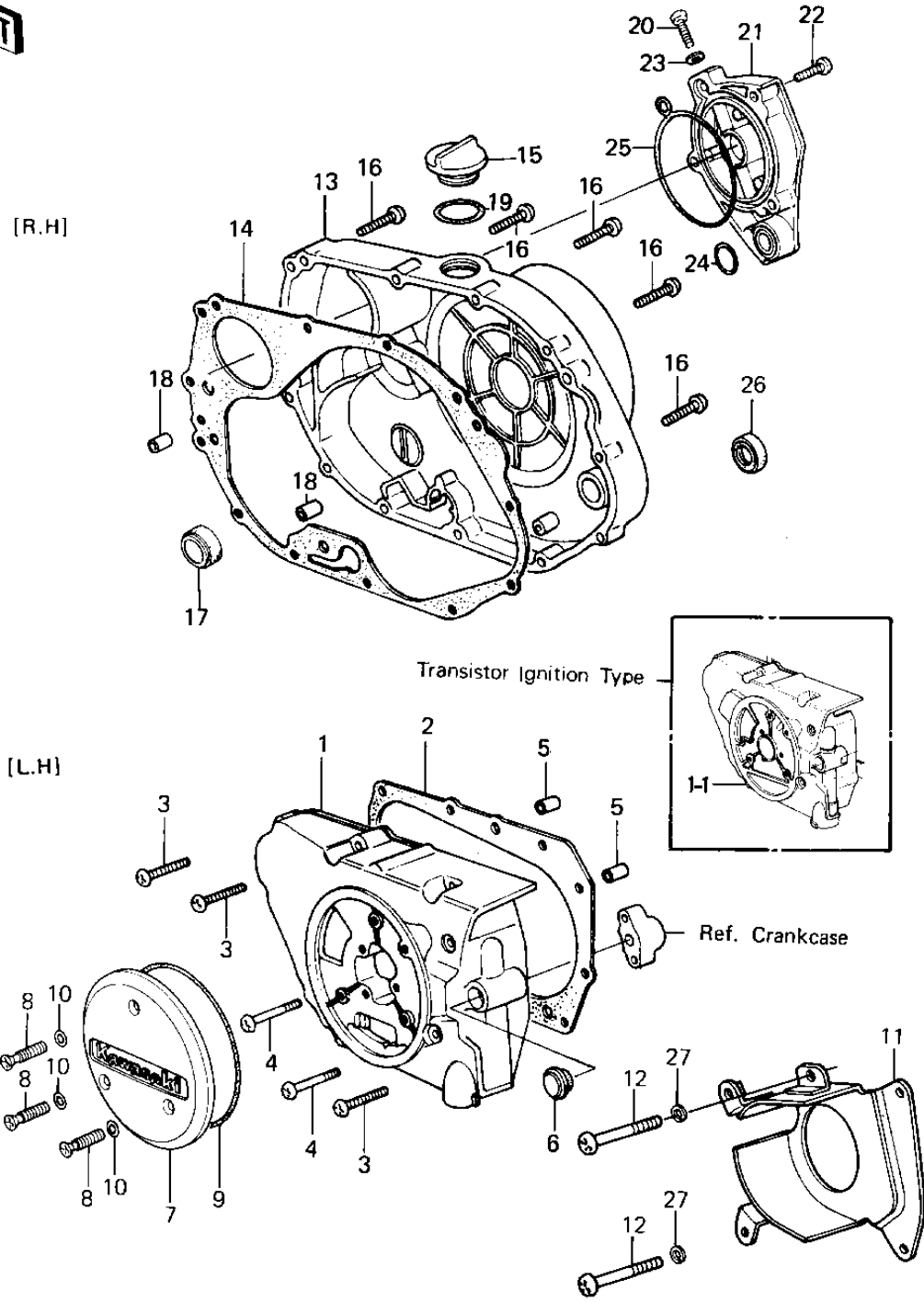


# 1982 KLT200 PARTS DIAGRAM

ENGINE COVERS ('81-'82 KLT200-A1/A2/A3)



# 1982 KLT200 PARTS LIST

ENGINE COVERS ('81-'82 KLT200-A1/A2/A3)

ITEM NAME	PART NUMBER	QUANTITY
COVER-GENERATOR (Ref # 1-1)	14031-1067	1
GASKET,L.H ENGINE COV (Ref # 2)	14045-031	1
SCREW PAN HEAD 6X30 (Ref # 3)	220B0630	7
SCREW PAN HEAD 6X60 (Ref # 4)	220B0660	2
PIN-DOWEL (Ref # 5)	92042-007	2
PLUG (Ref # 6)	92066-065	1
COVER,DYNAMO (Ref # 7)	14025-1239	1
SCREW OVL CNTSK 6X25 (Ref # 8)	222E0625	3
"O" RING,DYNAMO COVER (Ref # 9)	92055-108	1
"O" RING,DYNAMO COVER (Ref # 10)	92055-109	3
COVER-CHAIN (Ref # 11)	14026-1033	1
SCREW PAN HEAD 6X10 (Ref # 12)	220B0610	2
COVER,R.H.ENG,F.BLACK (Ref # 13)	14032-1036	1
GASKET,ENGINE COV,RH (Ref # 14)	11009-1235	1
PLUG,OIL FILLER (Ref # 15)	16115-013	1
SCREW PAN HEAD 6X30 (Ref # 16)	220B0630	12
GAUGE,OIL LEVEL (Ref # 17)	52005-1009	1
PIN-DOWEL (Ref # 18)	92042-007	2
"O" RING,31MM (Ref # 19)	92055-049	1
BOLT HEX HEAD 6X8 (Ref # 20)	110B0608	1
COVER,FILTER,F.BLACK (Ref # 21)	14025-1102	1
SCREW PAN HEAD 6X25 (Ref # 22)	220B0625	3
WASHER,PLAIN (Ref # 23)	92022-304	1
"O" RING (Ref # 24)	92055-098	1
"O" RING,FILTER COVER (Ref # 25)	92055-1048	1
OIL SEAL (Ref # 26)	92050-078	1
WASHER SPRING 6MM (Ref # 27)	461F0600	2