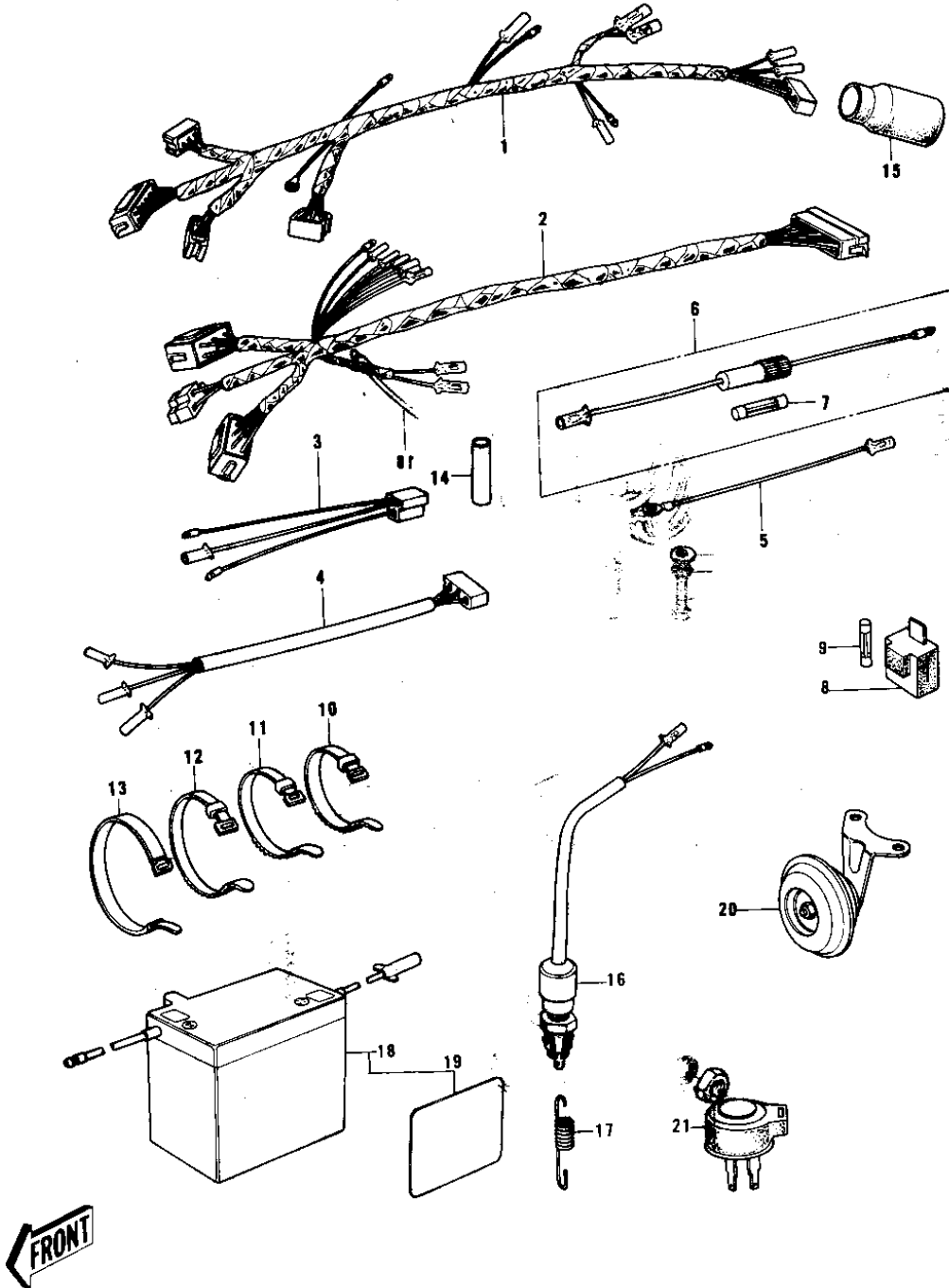


1976 KE175 PARTS DIAGRAM

CHASSIS ELECTRICAL EQUIPMENT



1976 KE175 PARTS LIST

CHASSIS ELECTRICAL EQUIPMENT

ITEM NAME	PART NUMBER	QUANTITY
WIRING HARNESS,MAG (Ref # 1)	26001-123	1
WIRING HARNESS,HEAD (Ref # 2)	26002-054	1
WIRE,RECTIFIER LEAD (Ref # 3)	26011-072	1
WIRING HARNESS,TL LMP (Ref # 4)	26002-046	1
WIRE,LEAD (Ref # 5)	26011-093	2
FUSE ASSY (Ref # 6)	26004-025	1
FUSE 15A (Ref # 7)	26006-007	1
HOLDER-SPARE FUSE (Ref # 8)	26016-004	1
FUSE 15A (Ref # 9)	26006-007	1
BAND,SHORT (Ref # 10)	92072-030	6
BAND,MIDDLE (Ref # 11)	92072-031	1
BAND,LONG (Ref # 12)	92072-032	3
BAND,WIRING HARNESS (Ref # 13)	92072-068	1
DAMPER RUBBER,HARNESS (Ref # 14)	92075-250	1
COVER,WIRING HARNESS (Ref # 15)	26009-008	1
SWITCH,BRAKE LIGHT (Ref # 16)	27010-025	1
SPRING,BRAKE LAMP (Ref # 17)	27011-018	1
YUA BAT 6N6-1D-2 (Ref # 18)	K26012-034	1
YUA BAT 6N6-1D-2 (Ref # 18)	K26012-034	1
LABEL-WARNING,BATTERY (Ref # 19)	56040-1036	1
HORN (Ref # 20)	27003-044	1
RELAY-TURN SIGNAL (Ref # 21)	27002-013	1