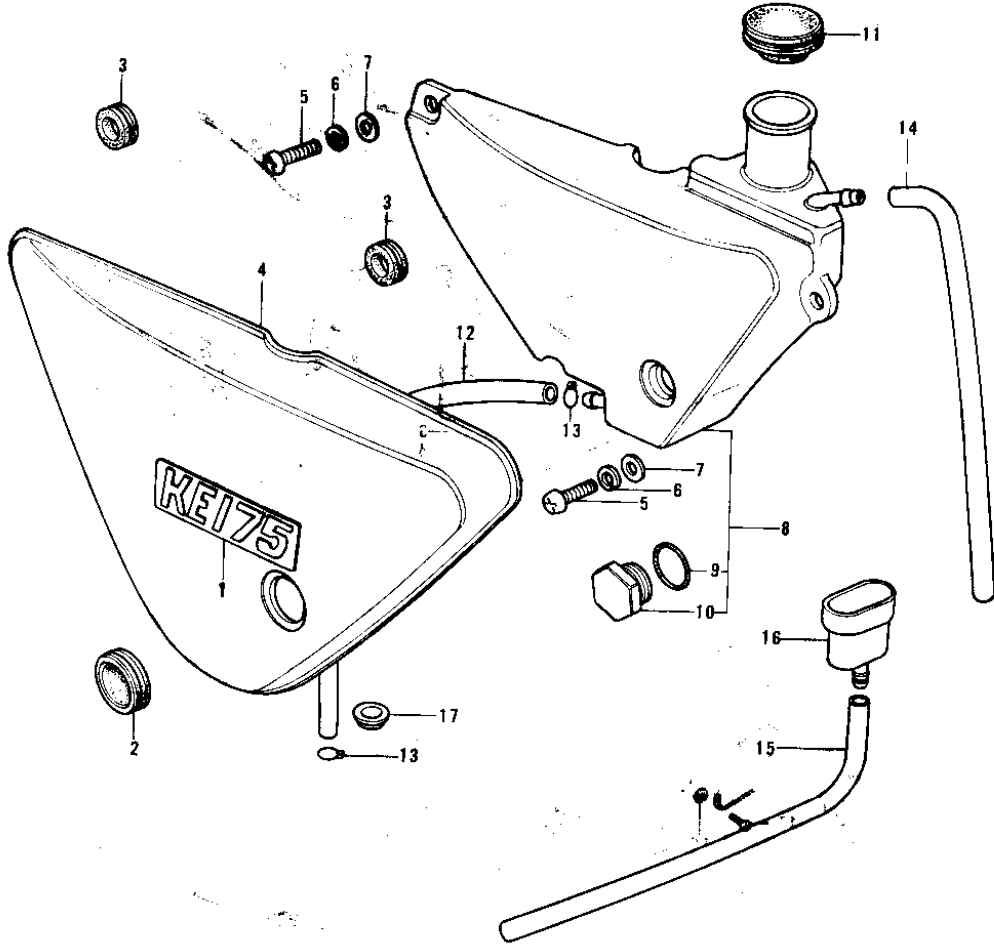


1976 KE175 PARTS DIAGRAM

SIDE COVER/OIL TANK



1976 KE175 PARTS LIST

SIDE COVER/OIL TANK

ITEM NAME	PART NUMBER	QUANTITY
EMBLEM MUFFLER COVER (Ref # 1)	56018-225	1
GROMMET,L.H SIDE COV (Ref # 2)	92071-080	1
GROMMET (Ref # 3)	92071-056	3
COVER,L.H SIDE,C.GREN (Ref # 4)	36001-049-3Z	1
COVER,L.H SIDE,C.OREN (Ref # 4)	36001-049-4A	1
COVER,L.H.SIDE,PR.BLU (Ref # 4)	36001-049-4T	1
COVER-SIDE,LH,C.L.RED (Ref # 4)	36001-1051-4R	1
COVER-SIDE,LH,GREEN (Ref # 4)	36001-1051-4U	1
COVER,L.H.SIDE,C.BLUE (Ref # 4)	36001-1051-A4	1
SCREW PAN HEAD 6X14 (Ref # 5)	220B0614	3
WASHER SPRING 6MM (Ref # 6)	461F0600	3
WASHER 6.5X20X1.6T (Ref # 7)	92022-125	3
TANK,OIL (Ref # 8)	52001-041	1
"O" RING,20MM (Ref # 9)	92055-051	1
GUAGE-OIL LEVEL (Ref # 10)	52015-002	1
CAP-OIL TANK (Ref # 11)	51049-1004	1
PIPE,OIL (Ref # 12)	92059-106	1
TUBE,VINYL,4.5X400 (Ref # 12)	92059-107	1
CLAMP FUEL PIPE (Ref # 13)	92037-010	2
TUBE-VINYL,5X400 (Ref # 14)	700Q05400	1
TUBE-VINYL 7X480 (Ref # 15)	700Q07480	1
700Q07450 (Canada) (Ref # 15)	700Q07550	1
CONNECTOR PIPE (Ref # 16)	92059-101	1
GROMMET PIPE (Ref # 17)	92071-038	1