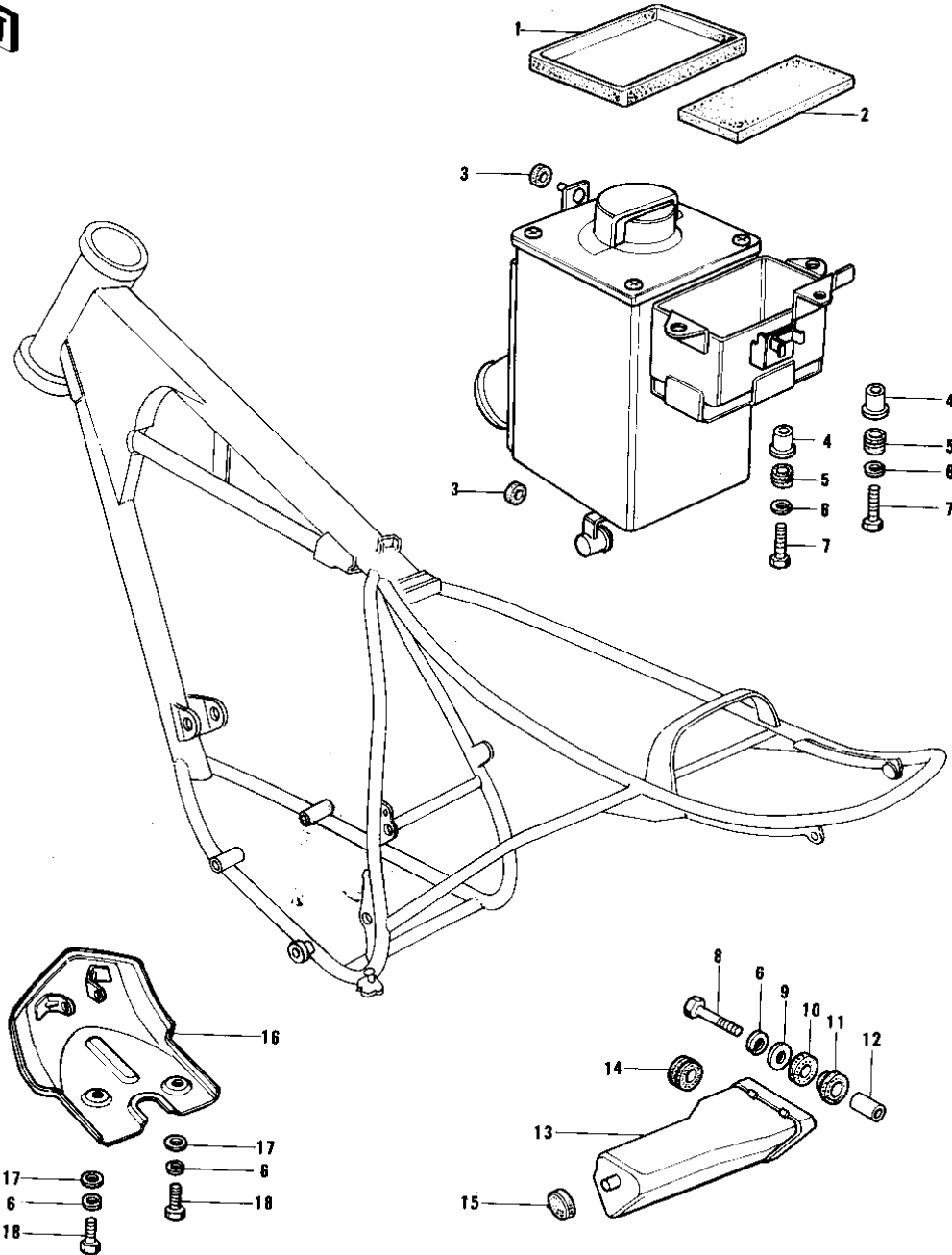


1976 KE175 PARTS DIAGRAM

TOOL CASE



1976 KE175 PARTS LIST

TOOL CASE

ITEM NAME	PART NUMBER	QUANTITY
MAT-BATTERY SIDE (Ref # 1)	32103-023	1
MAT,BATTERY (Ref # 2)	32103-027	1
DAMPER RUBBER,CLENER (Ref # 3)	92075-217	2
COLLAR (Ref # 4)	92027-153	2
DAMPER RUBBER (Ref # 5)	92075-051	2
WASHER SPRING 6MM (Ref # 6)	461F0600	5
BOLT-UPSET,6X16 (Ref # 7)	112G0616	2
BOLT-UPSET (Ref # 8)	112G0625	1
WASHER,PLAIN,7MM (Ref # 9)	92022-228	1
DAMPER RUBBER (Ref # 10)	92075-175	1
RUBBER,FENDER COVER (Ref # 11)	92075-174	1
COLLAR,REAR FENDER (Ref # 12)	92027-162	1
CASE,TOOL (Ref # 13)	32098-022	1
DAMPER RUBBER-OIL TNK (Ref # 14)	92075-150	1
DAMPER RUBBER (Ref # 15)	92075-107	1
GUARD,ENGINE (Ref # 16)	55011-023	1
WASHER 6.5X20X1.6T (Ref # 17)	92022-125	2
BOLT-UPSET,6X16 (Ref # 18)	112G0616	2