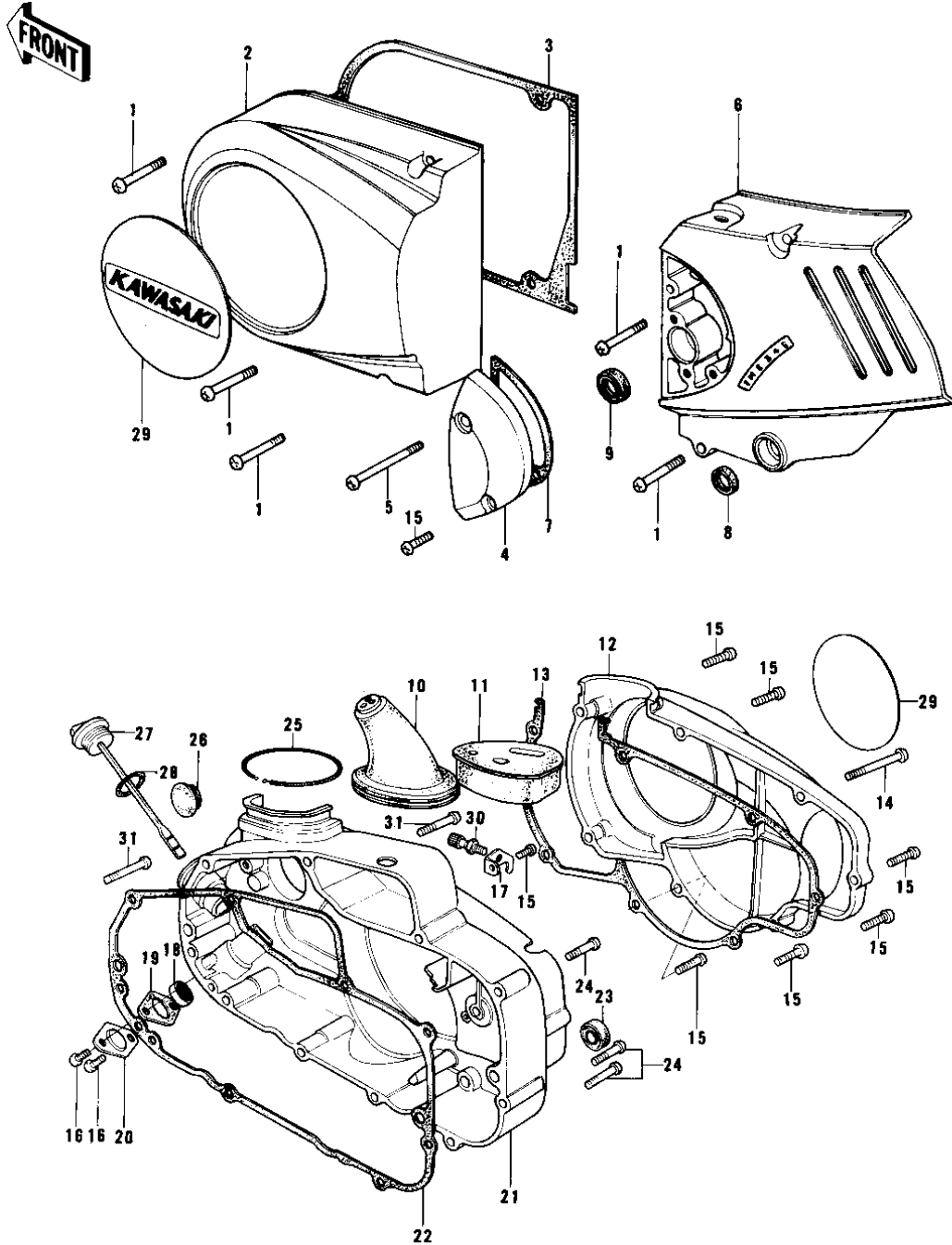


1976 KE175 PARTS DIAGRAM

ENGINE COVERS



1976 KE175 PARTS LIST

ENGINE COVERS

ITEM NAME	PART NUMBER	QUANTITY
SCREW PAN HEAD 6X45 (Ref # 1)	220B0645	5
COVER,L.H ENGINE,BARE (Ref # 2)	14031-091-2H	1
GASKET,L.H ENGINE COV (Ref # 3)	14045-024	1
COVER,CLUTCH RELESE (Ref # 4)	14030-065-2H	1
SCREW PAN HEAD 6X80 (Ref # 5)	220B0680	1
COVER,FRONT CHAIN,BAR (Ref # 6)	14026-031-2H	1
GASKET,CLUTCH REL COV (Ref # 7)	14049-005	2
SEAL-OIL (Ref # 8)	92049-1249	1
OIL SEAL,VC7205 (Ref # 9)	92052-013	1
CAP,CARBURETOR (Ref # 10)	14038-043	1
CAP,CARBURETOR (Ref # 11)	14038-044	1
CAP,CLUTCH RELEASE,BL (Ref # 12)	14030-1004	1
GASKET,CARBURETOR COV (Ref # 13)	14048-006	1
SCREW PAN HEAD 6X85 (Ref # 14)	220B0685	1
SCREW PAN HEAD 6X20 (Ref # 15)	220B0620	7
SCREW PAN HEAD 6X12 (Ref # 16)	220B0612	3
HOLDER,OIL PUMP CABL (Ref # 17)	14044-011	1
DRAIN,FUEL (Ref # 18)	16116-006	1
GASKET,FUEL DRAIN (Ref # 19)	14049-006	1
CAP,FUEL DRAIN (Ref # 20)	14028-007	1
COVER,R.H ENGINE,BARE (Ref # 21)	14032-110-2H	1
GASKET,R.H ENGINE COV (Ref # 22)	14046-032	1
OIL SEAL TB16267 (Ref # 23)	92051-003	1
SCREW PAN HEAD 6X35 (Ref # 24)	220B0635	6
SPRING COIL (Ref # 25)	92081-047	1
CAP CARB MOUNT HOLE (Ref # 26)	14039-001	1
PLUG,OIL FILLER (Ref # 27)	16115-023	1
"O" RING,20MM (Ref # 28)	670B2020	1
EMBLEM,ENGINE COVER (Ref # 29)	56018-205	2

1976 KE175 PARTS LIST

ENGINE COVERS

ITEM NAME	PART NUMBER	QUANTITY
ADJUSTER,CABLE (Ref # 30)	16002-012	1
SCREW PAN HEAD 6X50 (Ref # 31)	220B0650	3