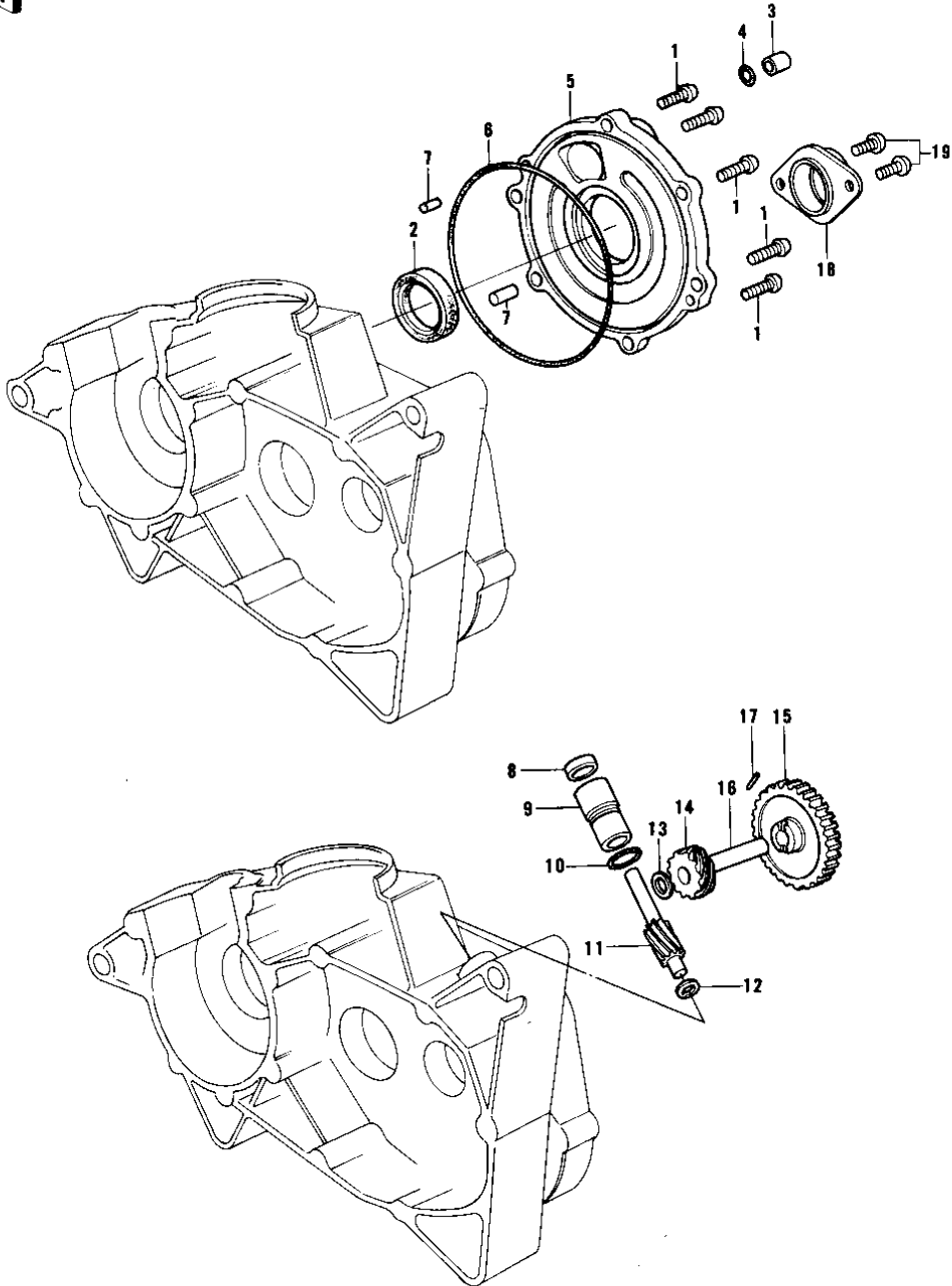


# 1976 KE175 PARTS DIAGRAM

ROTARY VALVE COVER/TACH. DRIVE



# 1976 KE175 PARTS LIST

## ROTARY VALVE COVER/TACH. DRIVE

ITEM NAME	PART NUMBER	QUANTITY
SCREW PAN HEAD 6X20 (Ref # 1)	220B0620	6
OIL SEAL TB32457 (Ref # 2)	653B324507	1
COLLAR,VALU COVER (Ref # 3)	92027-243	1
"O" RING,CHECK VALVE (Ref # 4)	92055-037	1
COVER,ROTARY DISC VL (Ref # 5)	14019-053	1
"O" RING,120MM (Ref # 6)	92055-019	1
PIN DOWEL 5X12 (Ref # 7)	610A0512	2
OIL SEAL (Ref # 8)	92054-004	1
BUSH-TACHOMETER GEAR (Ref # 9)	92028-095	1
"O" RING (Ref # 10)	92055-025	1
GEAR TACHOMETER (Ref # 11)	13223-003	1
WASHER THRUST (Ref # 12)	92026-026	1
WASHER THRUST (Ref # 13)	92026-025	1
GEAR-TACHOMETER (Ref # 14)	13224-007	1
GEAR-OIL PUMP (Ref # 15)	16085-016	1
SHAFT-OIL PUMP (Ref # 16)	16086-002	1
PIN,DOWEL (Ref # 17)	92042-035	1
HOLDER,CARBURETOR (Ref # 18)	16065-026	1
SCREW PAN HEAD 6X12 (Ref # 19)	220B0612	2