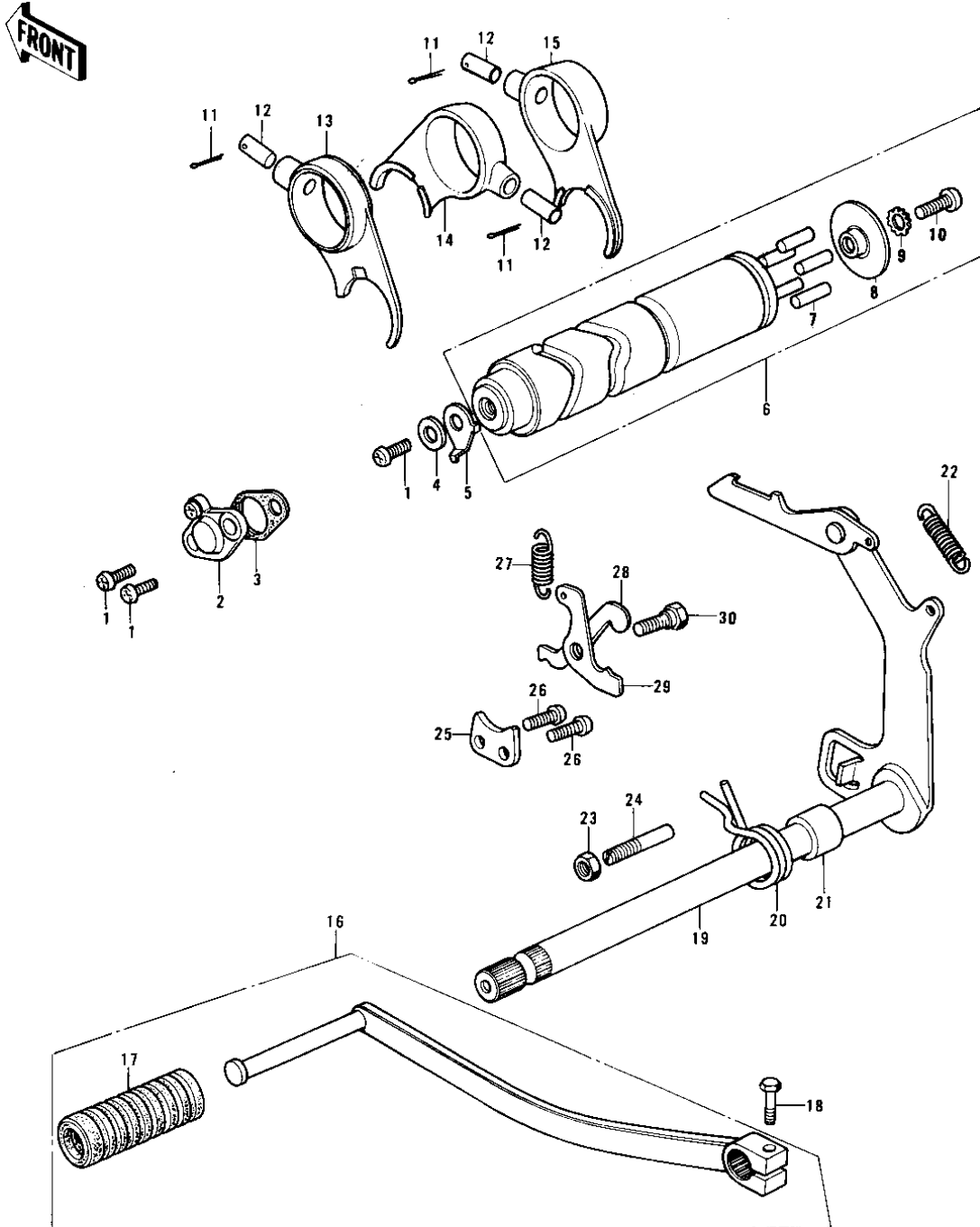


1976 KE175 PARTS DIAGRAM

GEAR CHANGE MECHANISM



1976 KE175 PARTS LIST

GEAR CHANGE MECHANISM

ITEM NAME	PART NUMBER	QUANTITY
SCREW PAN HEAD 6X16 (Ref # 1)	220B0616	3
SWITCH,NEUTRAL (Ref # 2)	13151-1001	1
SWITCH,NEUTRAL (Ref # 2)	13151-1001	1
GASKET NEUTRAL SWITCH (Ref # 3)	13146-002	1
WASHER PLAIN 6MM (Ref # 4)	410B0600	1
ROTOR,NEUTRAL INDICTR (Ref # 5)	21007-1003	1
ROTOR,NEUTRAL INDICTR (Ref # 5)	21007-1003	1
DRUM ASSY-GEAR CHANGE (Ref # 6)	13239-002	1
PIN GEAR CHANGE DRUM (Ref # 7)	92042-014	5
PLATE-CHANGE DRUM PIN (Ref # 8)	13142-009	1
WASHER LOCK 6MM (Ref # 9)	464H0600	1
SCREW PAN HEAD 6X14 (Ref # 10)	220B0614	1
PIN COTTER 3.0X20 (Ref # 11)	550D3020	3
PIN SELECT FORK GUIDE (Ref # 12)	92043-005	3
FORK-SELECTOR (Ref # 13)	13140-030	1
FORK-SELECTOR, TOP (Ref # 14)	13140-049	1
FORK-SELECTOR, LOW (Ref # 15)	13140-050	1
PEDAL, GEAR CHANGE (Ref # 16)	13156-064	1
RUBBER CHANGE PEDAL (Ref # 17)	13157-004	1
BOLT-UPSET, 6X20 (Ref # 18)	112G0620	1
LEVER ASSY GEAR CHNG (Ref # 19)	13161-019	1
SPRING, TENTION (Ref # 20)	92081-1129	1
SPRING, TENTION (Ref # 20)	92081-1129	1
COLLAR (Ref # 21)	92027-121	1
SPRING, CHANGE LEVER (Ref # 22)	92144-1720	1
NUT 8MM (Ref # 23)	312B0800	1
BOLT, RETURN SPRING (Ref # 24)	92001-1401	1
PLATE CHNG DRUM PSTN (Ref # 25)	13169-002	1
SCREW PAN HEAD 6X14 (Ref # 26)	220B0614	2