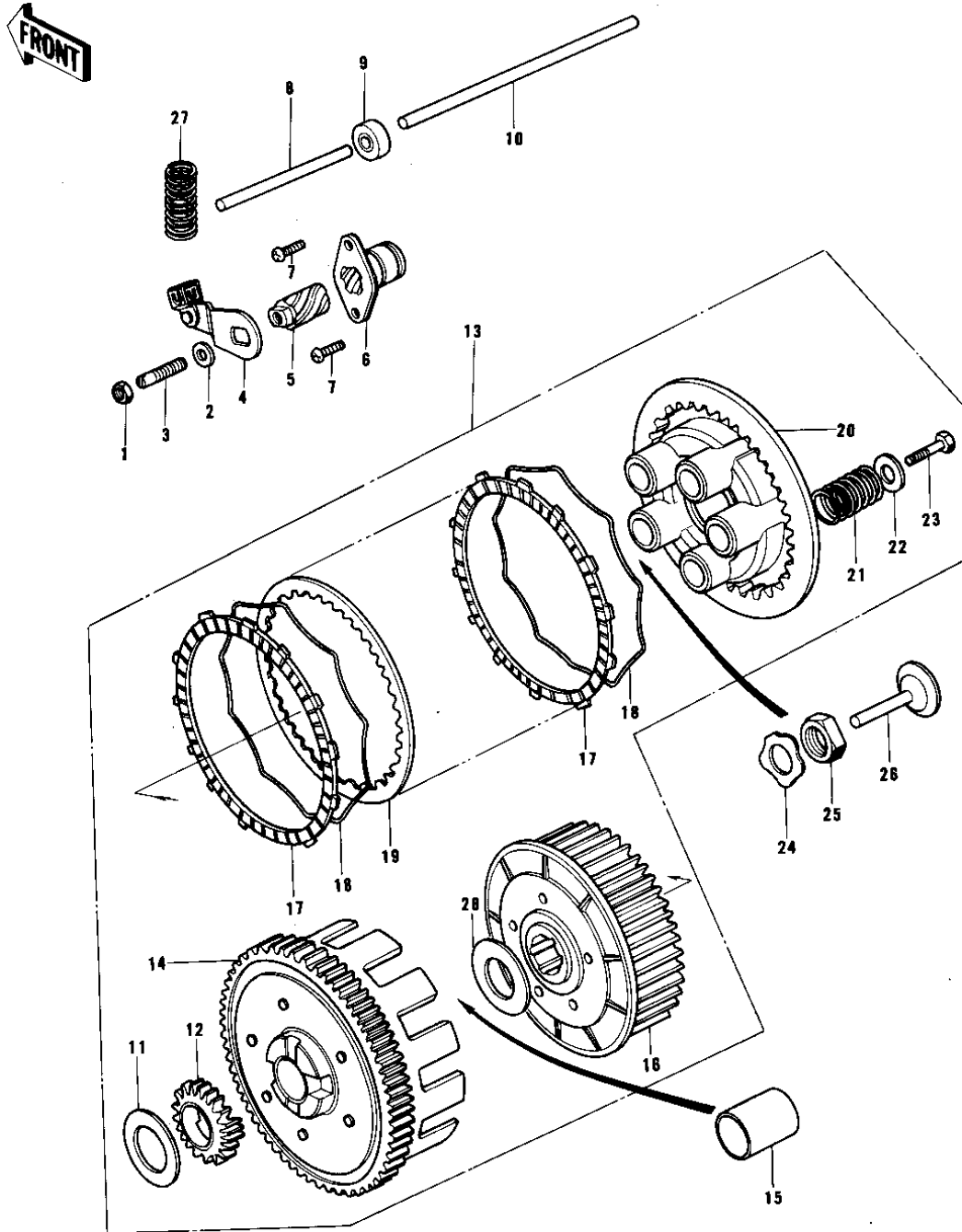


1977 KE175 PARTS DIAGRAM CLUTCH



1977 KE175 PARTS LIST

CLUTCH

ITEM NAME	PART NUMBER	QUANTITY
NUT 6MM (Ref # 1)	311B0600	1
WASHER PLAIN 6MM (Ref # 2)	411B0600	1
SCREW,SLOTTED,6X24 (Ref # 3)	291H0624	1
INNER,CLUT RELEASE (Ref # 4)	13102-023	1
SCREW (Ref # 5)	13104-017	1
OUTER,CLUT RELEASE (Ref # 6)	13118-014	1
SCREW PAN HEAD 6X14 (Ref # 7)	220B0614	1
ROD-CLUTCH PUSH,SHORT (Ref # 8)	13116-018	1
OIL SEAL TB7246 (Ref # 9)	92052-010	1
ROD-CLUTCH PUSH,LONG (Ref # 10)	13116-017	1
WASHER-CLUTCH THRUST (Ref # 11)	92022-168	2
PINION-KICKSTARTER (Ref # 12)	13075-006	1
CLUTCH-ASSY (Ref # 13)	13081-084	2
HOUSING-COMP-CLUTCH (Ref # 14)	13095-1024	2
BUSH-CLUTCH (Ref # 15)	92028-014	1
HUB,CLUTCH (Ref # 16)	13087-032	1
PLATE-FRICTION (Ref # 17)	13088-1015	1
RING-CLUTCH STEEL (Ref # 18)	13229-002	1
PLATE CLUTCH STEEL (Ref # 19)	13089-003	1
PLATE-CLUTCH SPRING (Ref # 20)	13187-004	1
SPRING-CLUTCH (Ref # 21)	92081-080	1
WASHER-PLAIN,5MM (Ref # 22)	92022-167	1
BOLT,5X18 (Ref # 23)	92003-078	1
WASHER-LOCK,14MM (Ref # 24)	92024-046	1
NUT 14MM (Ref # 25)	315B1400	1
PUSHER-CLTCH SPRG PLT (Ref # 26)	13116-016	1
SPRING-CLUTCH RELEASE (Ref # 27)	92081-096	1
WASHER,PLAIN (Ref # 28)	92022-270	1