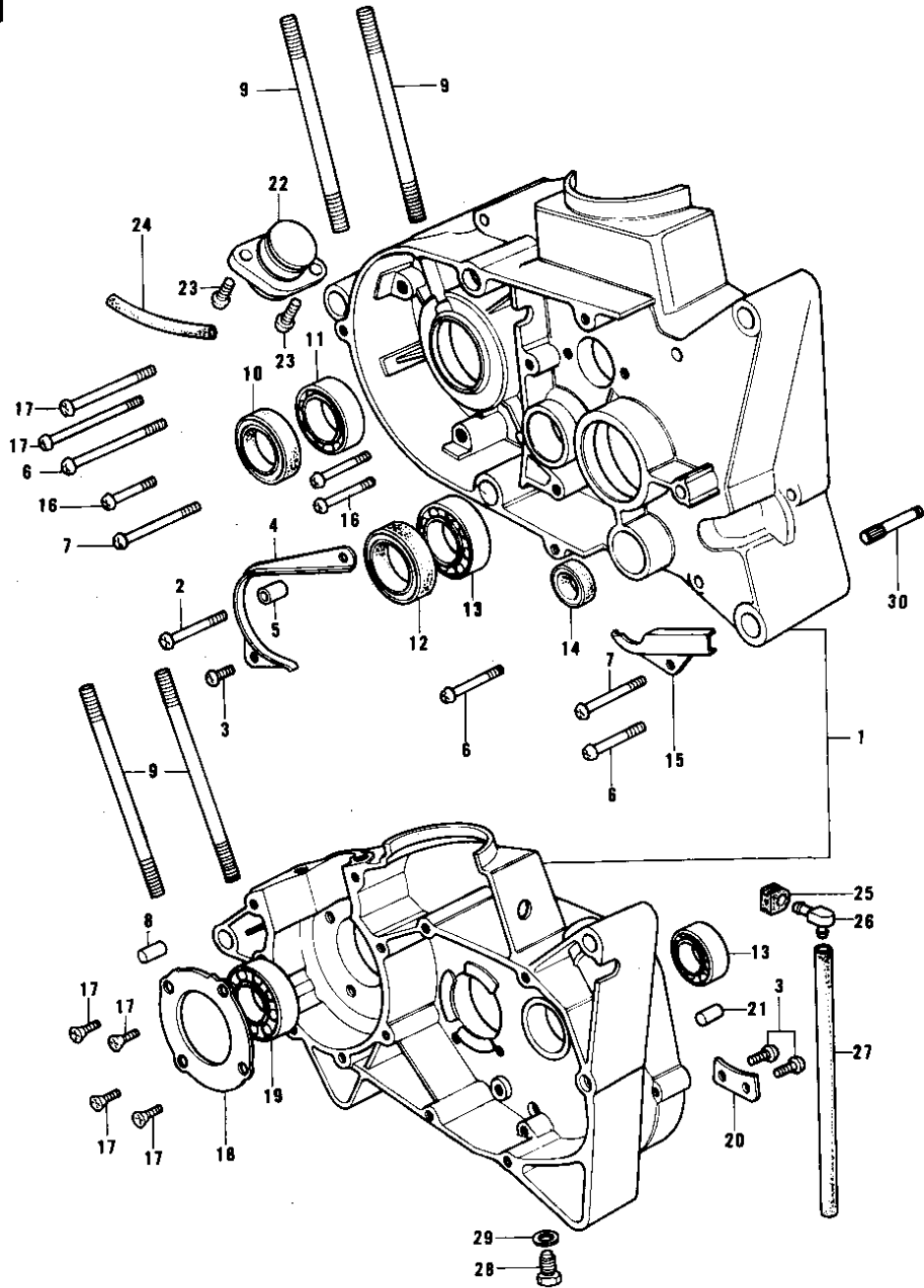


1977 KE175 PARTS DIAGRAM

CRANKCASE



1977 KE175 PARTS LIST

CRANKCASE

| ITEM NAME | PART NUMBER | QUANTITY |
|---------------------------------|--------------|----------|
| CRANKCASE SET (Ref # 1) | 14001-074-21 | |
| SCREW PAN HEAD 6X85 (Ref # 2) | 220B0685 | |
| SCREW PAN HEAD 6X12 (Ref # 3) | 220B0612 | |
| GUIDE-CHAIN (Ref # 4) | 14077-002 | |
| COLLAR (Ref # 5) | 92027-169 | |
| SCREW PAN HEAD 6X55 (Ref # 6) | 220B0655 | |
| SCREW PAN HEAD 6X65 (Ref # 7) | 220B0665 | |
| PIN,DOWEL,10X8.2X14 (Ref # 8) | 92043-1037 | |
| STUD 8X75 (Ref # 9) | 172G0875 | |
| SEAL-OIL (Ref # 10) | 92049-1250 | |
| BEARING BALL #6205 (Ref # 11) | 601B6205 | |
| OIL SEAL SC30426 (Ref # 12) | 92050-039 | |
| BEARING-BALL,6204C3 (Ref # 13) | 92045-1046 | |
| OIL SEAL SB12205 (Ref # 14) | 92049-004 | |
| COVER-WIRING HARNESS (Ref # 15) | 14076-002 | |
| SCREW PAN HEAD 6X40 (Ref # 16) | 220B0640 | |
| SCREW CNTSNK HD 6X16 (Ref # 17) | 221B0616 | |
| HOLDER-CRANK BEARING (Ref # 18) | 14014-021 | |
| BEARING BALL #6305 (Ref # 19) | 601B6305 | |
| HOLDER-MISSION BERNG (Ref # 20) | 14014-022 | |
| PIN DOWEL 8X16 (Ref # 21) | 551A0816 | |
| PUMP-FUEL DRAIN (Ref # 22) | 16137-002 | |
| SCREW PAN HEAD 6X16 (Ref # 23) | 220B0616 | |
| PIPE FUEL OVERFLOW (Ref # 24) | 92059-031 | |
| GROMMET (Ref # 25) | 92071-042 | |
| BREATHER ASSY (Ref # 26) | 14069-1001 | |
| PIPE-BREATHER (Ref # 27) | 92059-061 | |
| PLUG OIL DRAIN (Ref # 28) | 92067-001 | |
| GASKET CHECK VALVE (Ref # 29) | 92065-058 | |

1977 KE175 PARTS LIST

CRANKCASE

| ITEM NAME | PART NUMBER | QUANTITY |
|----------------------------|-------------|----------|
| PIN,KICK SPRING (Ref # 30) | 92043-117 | |