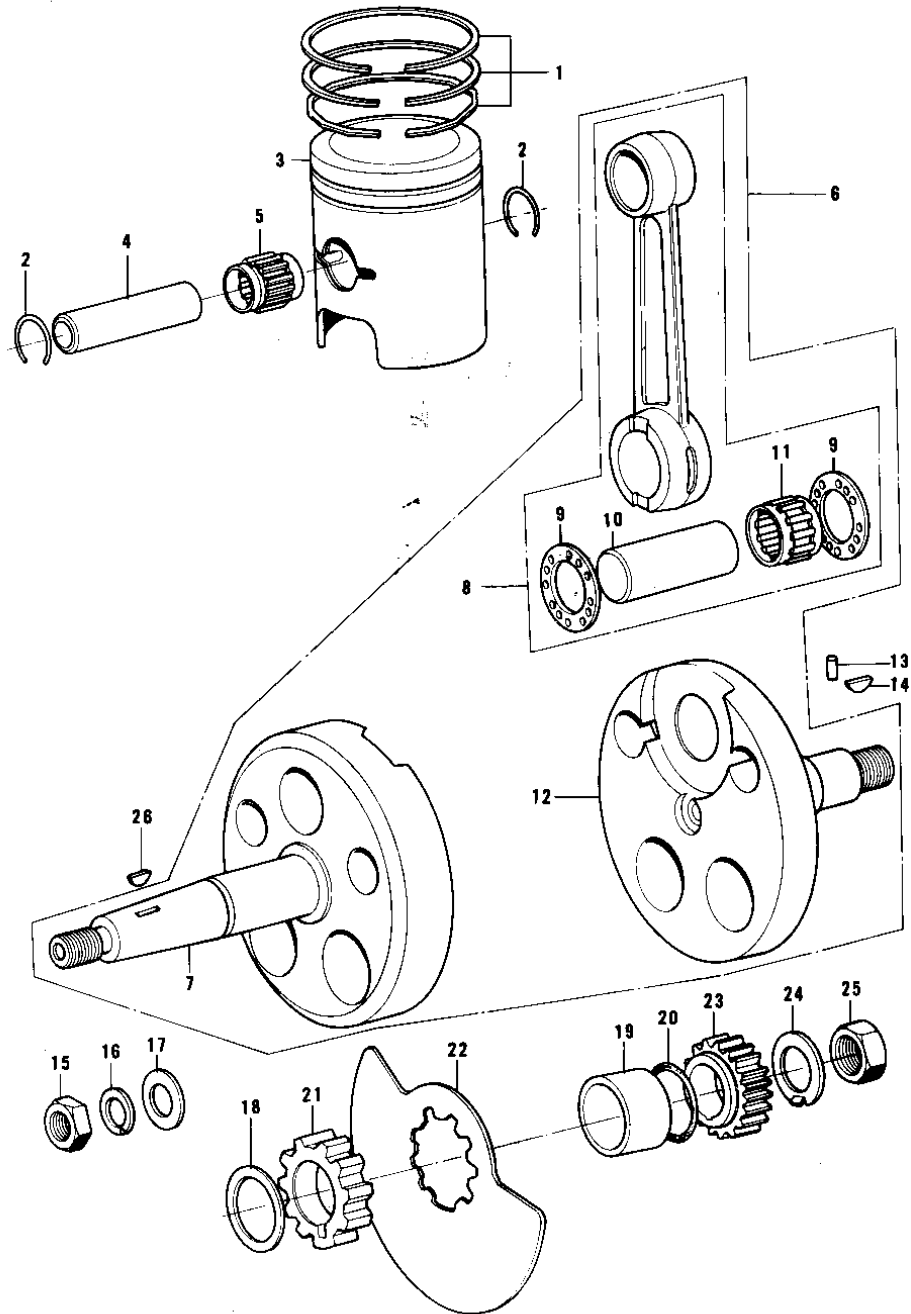


1976 KE175 PARTS DIAGRAM

CRANKSHAFT/PISTON/ROTARY VALVE



1976 KE175 PARTS LIST

CRANKSHAFT/PISTON/ROTARY VALVE

ITEM NAME	PART NUMBER	QUANTITY
RING SET,STD (Ref # 1)	13008-058	1
CIRCLIP PISTON PIN (Ref # 2)	92036-003	2
PISTON,STD (Ref # 3)	13001-074	1
PIN-PISTON (Ref # 4)	13002-018	1
BEARING,SMALL END (Ref # 5)	13033-034	1
CRANKSHAFT ASSY (Ref # 6)	13036-049	1
CRANKSHAFT,L.H (Ref # 7)	13037-038	1
CONNECTING ROD SET (Ref # 8)	13044-039	1
WASHER SIDE (Ref # 9)	92026-011	2
CRANK PIN (Ref # 10)	13035-022	1
BEARING,BIG END (Ref # 11)	13034-042	1
CRANKSHAFT,R.H (Ref # 12)	13038-034	1
PIN DOWEL 4X10 (Ref # 13)	610A0410	1
WOODRUFF KEY PRY PINI (Ref # 14)	92038-003	1
NUT 14MM (Ref # 15)	92015-043	1
WASHER SPRING 14MM (Ref # 16)	461F1400	1
WASHER-PLAIN,14MM (Ref # 17)	92022-172	1
COLLAR-CRANKSHAFT (Ref # 18)	92027-118	1
COLLAR,25X32X10.5 (Ref # 19)	92143-1370	1
"0" RING,22MM (Ref # 20)	92055-018	1
COLLAR,DISC VLV (Ref # 21)	92027-242	1
VALVE,ROTARY DISC (Ref # 22)	12002-028	1
PINION,PRIMARY (Ref # 23)	13121-027	1
WASHER,LOCK,18MM (Ref # 24)	92024-067	1
NUT 18MM (Ref # 25)	92015-019	1
WOODRUFF KEY (Ref # 26)	92038-001	1