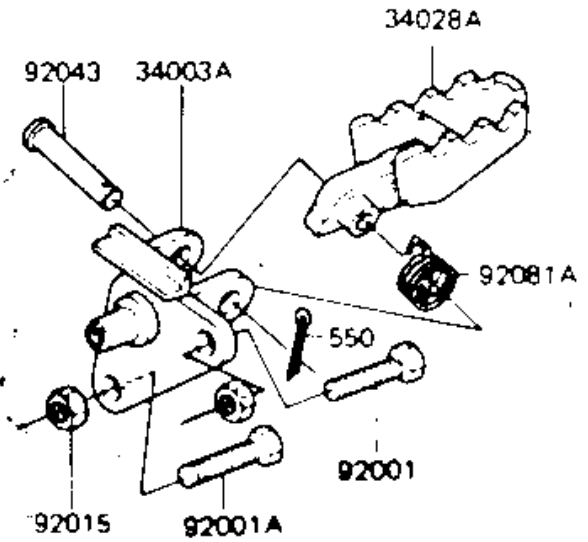
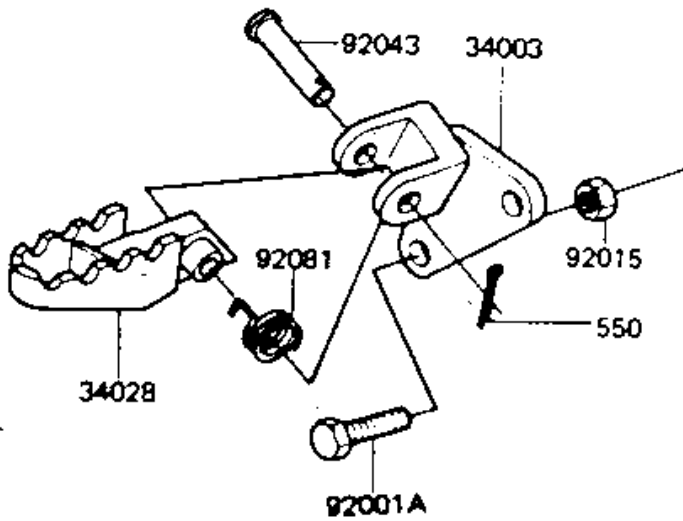


# 1982 KDX175 PARTS DIAGRAM

FOOTRESTS ('81-'82 A2/A3)



# 1982 KDX175 PARTS LIST

FOOTRESTS ('81-'82 A2/A3)

ITEM NAME	PART NUMBER	QUANTITY
HOLDER,FOOTRST STEP, (Ref # 34003)	34003-1054	1
HOLDER-STEP,RH (Ref # 34003A)	34003-1088	1
STEP,FOOTREST,L.H (Ref # 34028)	34028-1026	1
STEP,FOOTREST,R.H (Ref # 34028A)	34028-1027	1
BOLT,8X32 (Ref # 92001)	92001-1438	1
BOLT,8X50 (Ref # 92001A)	92001-1439	2
NUT,8MM (Ref # 92015)	92015-1134	3
PIN,FOOTRST STEP FIT (Ref # 92043)	92043-1069	2
SPRING,L.H,FOOTREST (Ref # 92081)	92081-1254	1
SPRING,R.H,FOOTREST (Ref # 92081A)	92081-1255	1
PIN,COTTER,2.5X18 (Ref # 550)	550D2518	2