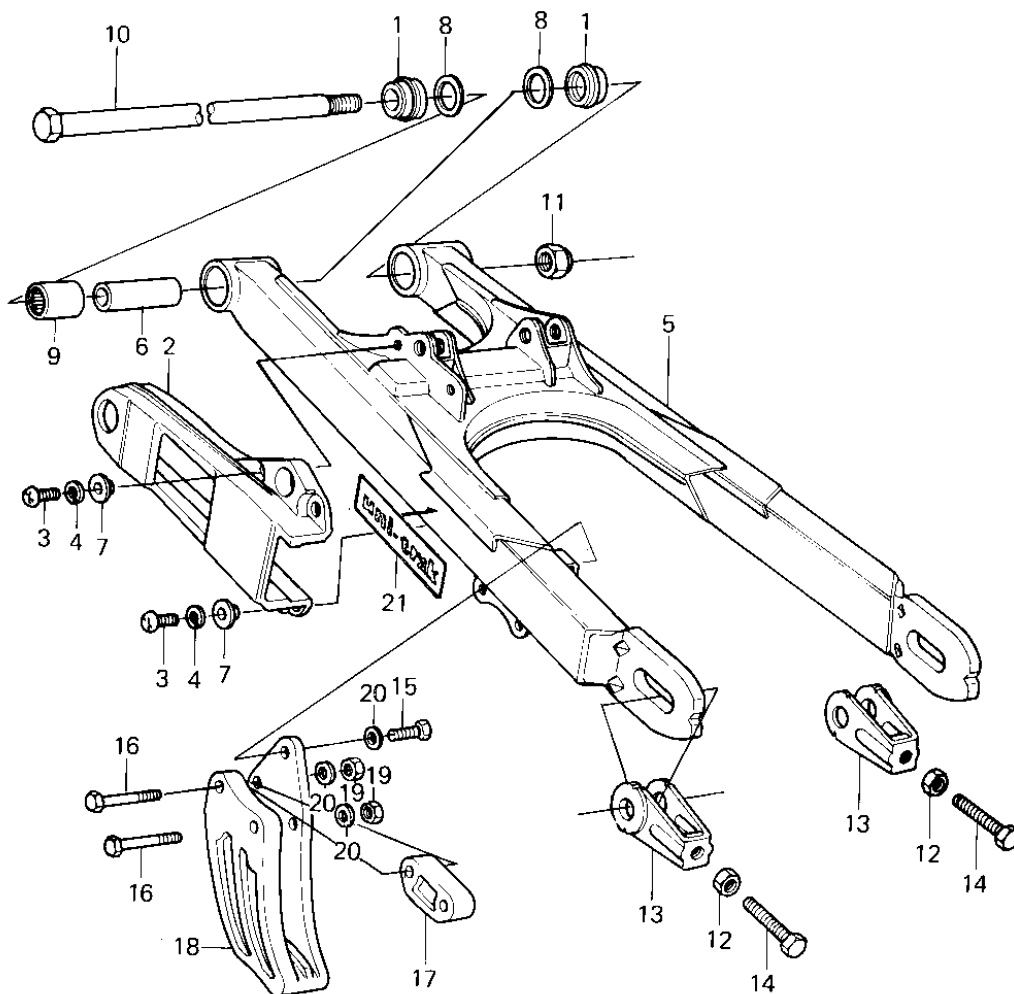


## 1980 KDX175 PARTS DIAGRAM

SWING ARM ('80 A1)



## 1980 KDX175 PARTS LIST

SWING ARM ('80 A1)

ITEM NAME	PART NUMBER	QUANTITY
CAP,SWING ARM (Ref # 1)	11012-1099	1
GUIDE,CHAIN,FRONT (Ref # 2)	12053-1043	1
SCREW PAN HEAD 6X14 (Ref # 3)	220B0614	1
WASHER SPRING 6MM (Ref # 4)	461F0600	1
ARM-COMP-SWING (Ref # 5)	33001-1069	1
SLEEVE,SWING ARM (Ref # 6)	42036-1031	1
COLLAR (Ref # 7)	92027-1260	1
SHIM,SWING ARM (Ref # 8)	92025-1116	1
BRG,NEEDLE,HMK2030 (Ref # 9)	92046-1031	1
SHAFT-SWING ARM (Ref # 10)	33032-1020	1
NUT-LOCK,14MM (Ref # 11)	92019-011	1
NUT 8MM (Ref # 12)	312B0800	1
ADJUSTER-CHAIN (Ref # 13)	33040-043	1
BOLT,CHAIN ADJUSTER (Ref # 14)	92001-1179	1
BOLT 6X22 (Ref # 15)	112B0622	1
BOLT-UPSET (Ref # 16)	112G0660	1
GUIDE,CHAIN,REAR (Ref # 17)	12053-1039	1
GUARD,CHAIN (Ref # 18)	55020-1038	1
NUT (Ref # 19)	92019-008	1
WASHER 6.5X20X1.6T (Ref # 20)	92022-125	1
MARK (Ref # 21)	56018-1157	1