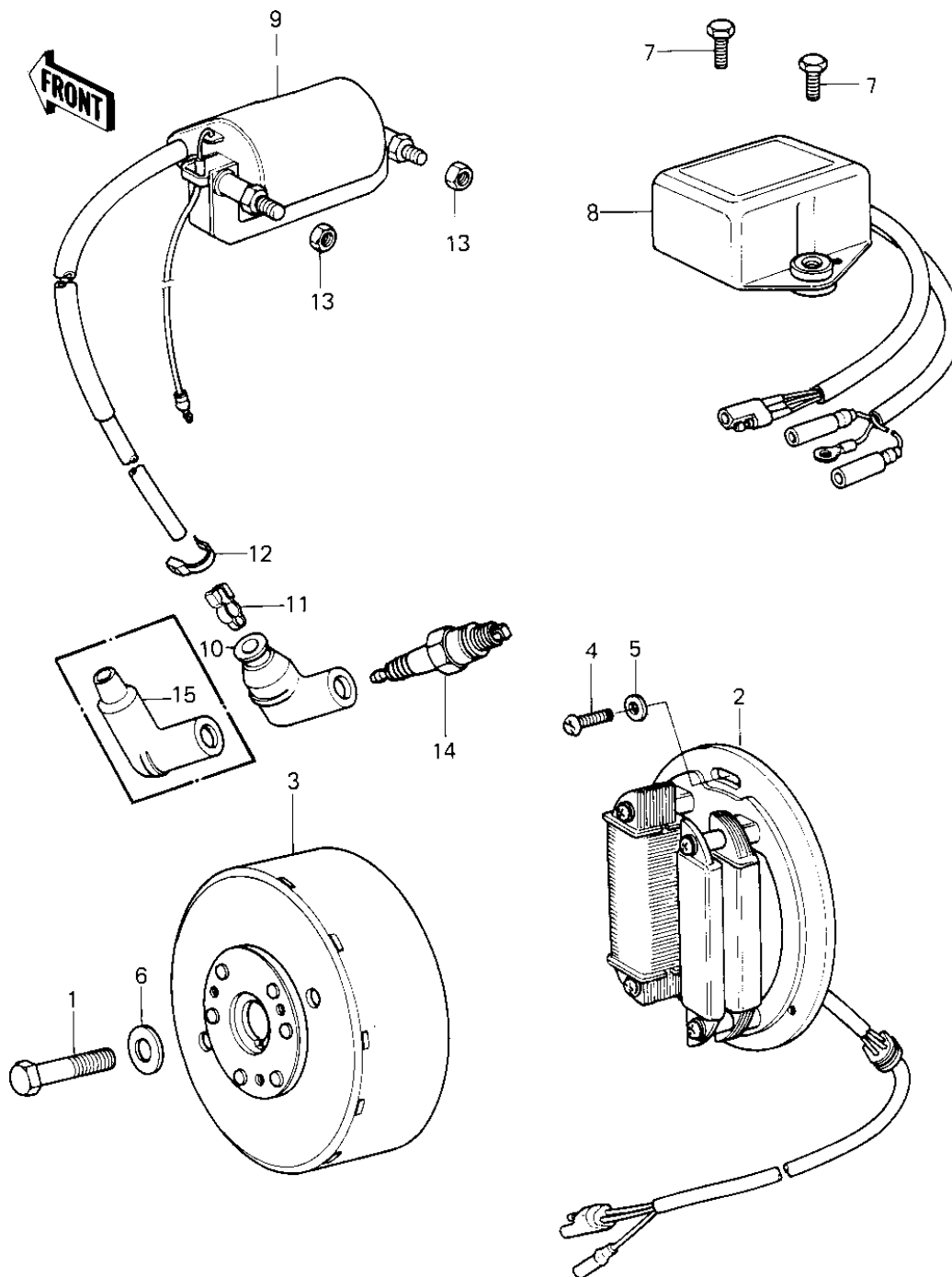


1980 KDX175 PARTS DIAGRAM

IGNITION/GENERATOR ('80 A1)



1980 KDX175 PARTS LIST

IGNITION/GENERATOR ('80 A1)

ITEM NAME	PART NUMBER	QUANTITY
BOLT,FLANGED,8X40 (Ref # 1)	92001-1578	1
STATOR ASSY,MAGNETO (Ref # 2)	21003-1029	1
FLYWHEEL,MAGNETO (Ref # 3)	21007-1027	1
SCREW PAN HEAD 6X16 (Ref # 4)	220B0616	1
WASHER PLAIN 6MM (Ref # 5)	410B0600	1
WASHER,PLAIN,8MM (Ref # 6)	92022-276	1
BOLT-UPSET (Ref # 7)	112G0618	1
IGNITER (Ref # 8)	21119-1015	1
COIL,IGNITION (Ref # 9)	21121-1032	1
CAP,SPARK PLUG (Ref # 10)	21130-1006	1
TERMINAL,PLUG CAP (Ref # 11)	21169-001	1
CLAMP,SPARK PLUG CAP (Ref # 12)	92037-1173	1
NUT (Ref # 13)	92019-008	1
SPARK PLUG B9ES (Ref # 14)	B9ES	1
SPARK PLUG BR9EV (Ref # 14)	92070-3002	1
CAP ASSY,SPARK PLUG (Ref # 15)	21160-1009	1