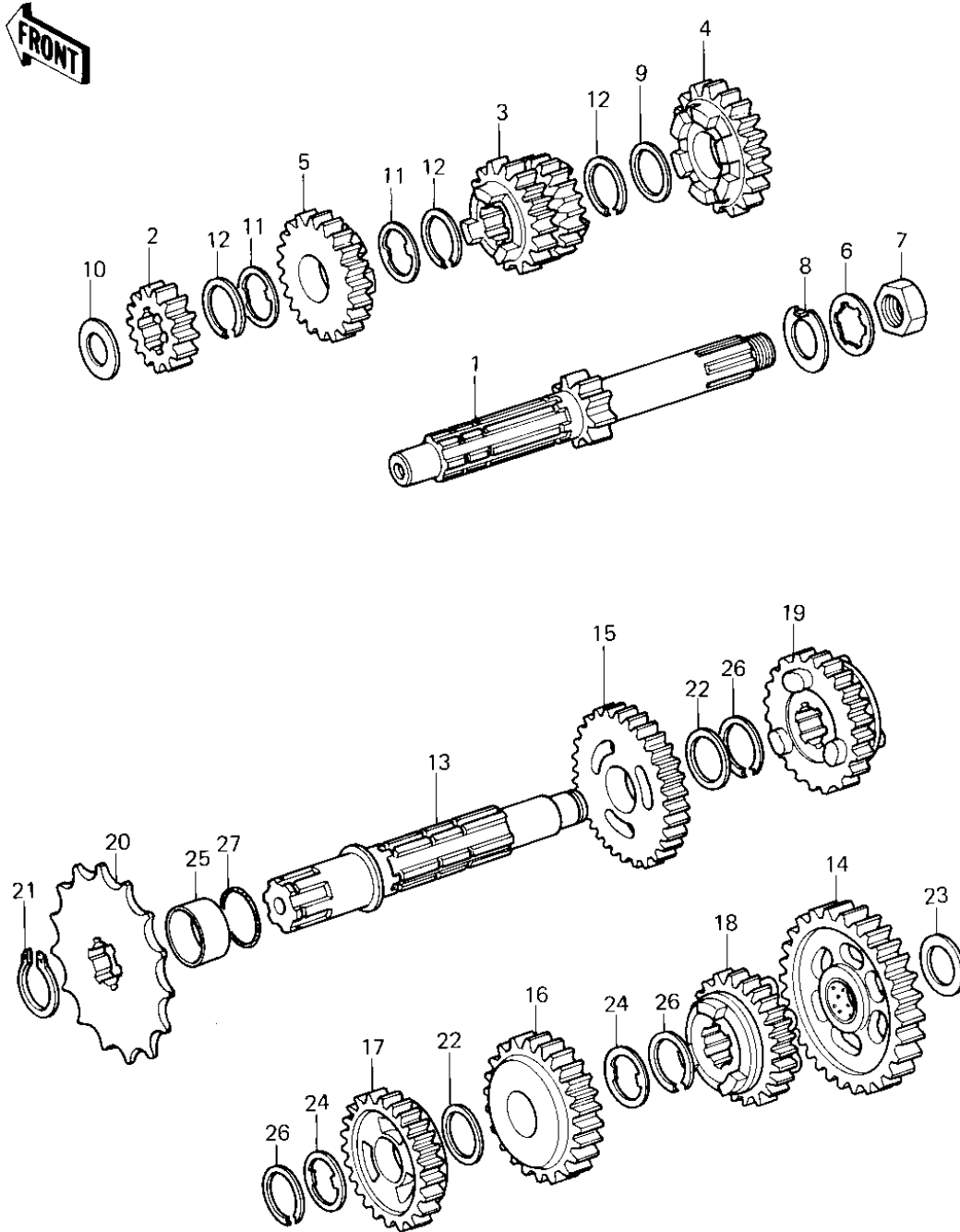


1980 KDX175 PARTS DIAGRAM

TRANSMISSION ('80 A1)



1980 KDX175 PARTS LIST

TRANSMISSION ('80 A1)

ITEM NAME	PART NUMBER	QUANTITY
SHAFT,DRIVE (Ref # 1)	13127-1026	1
2ND GEAR,DRIVE SHAFT (Ref # 2)	13129-1181	1
3RD&4TH GEAR,DRIVE S (Ref # 3)	13129-1182	1
5TH GEAR,DRIVE SHAFT (Ref # 4)	13129-1183	1
TOP GEAR,DRIVE SHAFT (Ref # 5)	13129-1184	1
WASHER, TOOTHED, 16MM (Ref # 6)	463H1600	1
NUT 16MM (Ref # 7)	92016-036	1
WASHER,16.8X32X1.6 (Ref # 8)	92022-1277	1
WASHER-PLAIN (Ref # 9)	92022-198	2
WASHER,PLAIN (Ref # 10)	92022-268	2
WASHER-LOCK (Ref # 11)	92024-039	2
CIRCLIP,25MM (Ref # 12)	92033-025	2
SHAFT,OUTPUT (Ref # 13)	13128-1026	1
LOW GEAR,OUTPUT SHAFT (Ref # 14)	13129-1185	1
2ND GEAR,OUTPUT SHAFT (Ref # 15)	13129-1186	1
3RD GEAR,OUTPUT SHAFT (Ref # 16)	13129-1187	1
GEAR-TRANSMISSION SP (Ref # 17)	13129-1324	1
5TH GEAR,OUTPUT SHAFT (Ref # 18)	13129-1189	1
TOP GEAR,OUTPUT SHAFT (Ref # 19)	13129-1190	1
SPROCKET-OUTPUT,12T (Ref # 20)	13144-1049	1
SPROCKET-OUTPUT 13T (Ref # 20)	13144-1050	1
ENGINE SPROCKET,11T (Ref # 20)	13144-1036	1
CIRCLIP, 20MM (Ref # 21)	480J2000	1
COLLAR,ENGINE SPROCK (Ref # 25)	92027-1244	1
"O" RING (Ref # 27)	92055-022	1