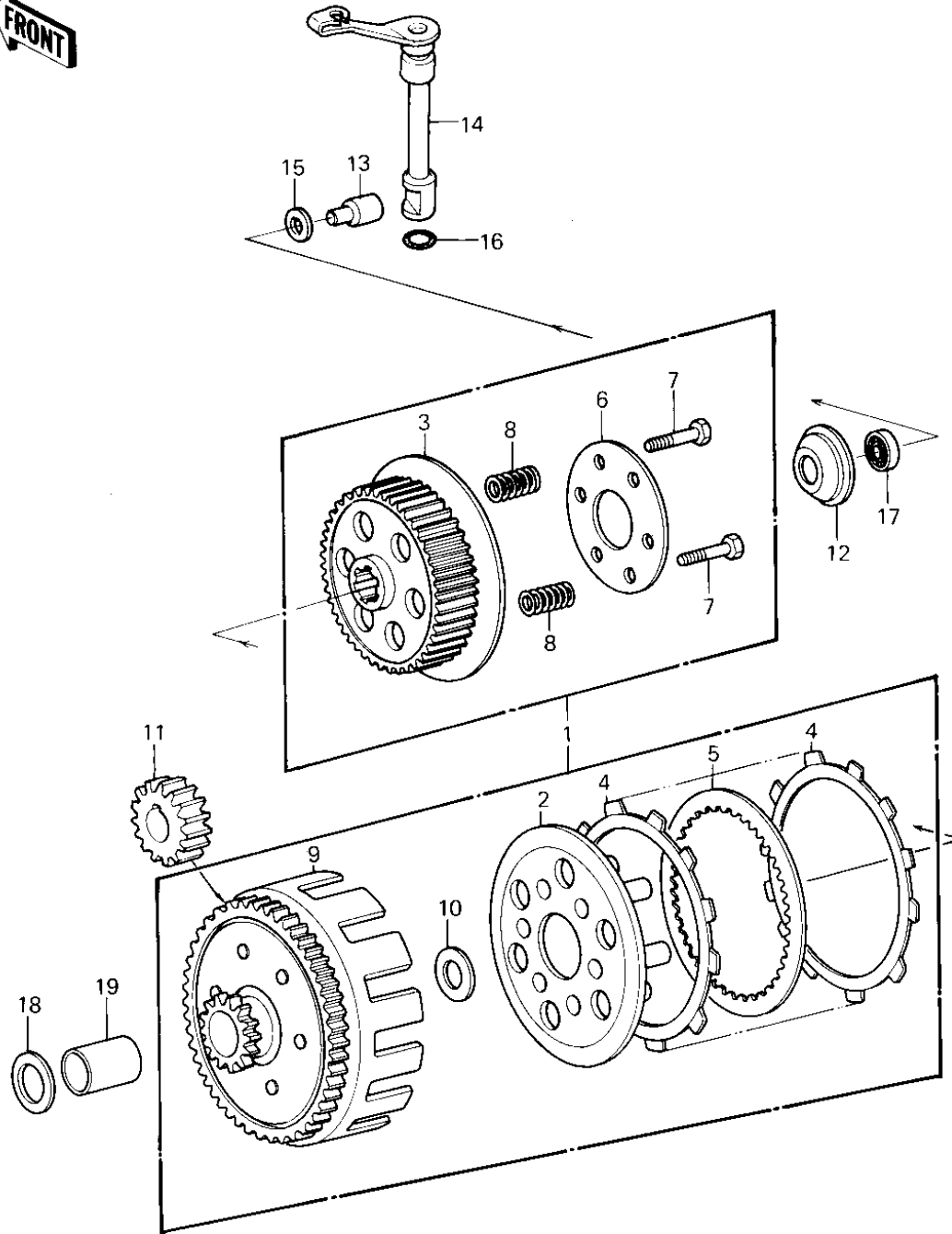


1980 KDX175 PARTS DIAGRAM

CLUTCH ('80 A1)



1980 KDX175 PARTS LIST

CLUTCH ('80 A1)

ITEM NAME	PART NUMBER	QUANTITY
CLUTCH-ASSY (Ref # 1)	13081-1040	1
WHEEL,CLUTCH (Ref # 2)	13086-1001	1
HUB,CLUTCH (Ref # 3)	13087-1014	1
PLATE-FRICTION (Ref # 4)	13088-1015	1
PLATE CLUTCH STEEL (Ref # 5)	13089-003	1
HOLDER,CLUTCH (Ref # 6)	13091-015	1
BOLT,5X18 (Ref # 7)	92003-078	1
SPRING,CLUTCH (Ref # 8)	92081-123	1
HOUSING,CLUTCH (Ref # 9)	13095-1027	1
WASHER,THRUST (Ref # 10)	92022-223	2
GEAR,PRIMARY,23T (Ref # 11)	13097-1033	1
HOLDER,CLUTCH PUSHER (Ref # 12)	13091-1071	1
PUSHER,CLUTCH (Ref # 13)	13114-1004	1
LEVER ASSY,CLUTCH RL (Ref # 14)	13236-1022	1
WASHER PLAIN 6MM (Ref # 15)	411B0600	1
"O" RING, 10MM (Ref # 16)	670B2010	1
BEARING-BALL (Ref # 17)	92045-1211	1
BUSHING,CLUTCH (Ref # 19)	92028-1081	1